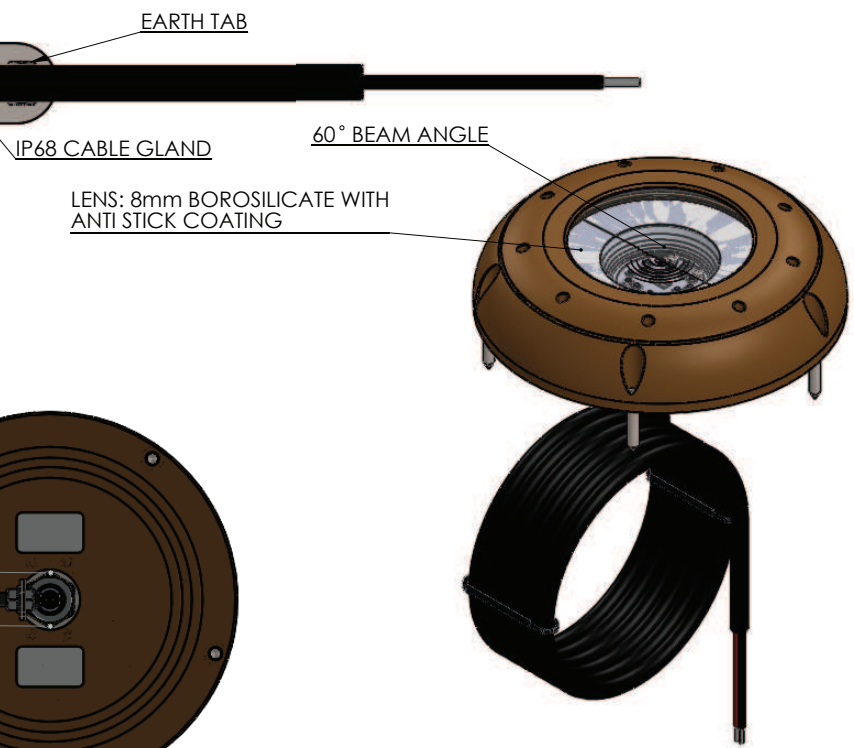
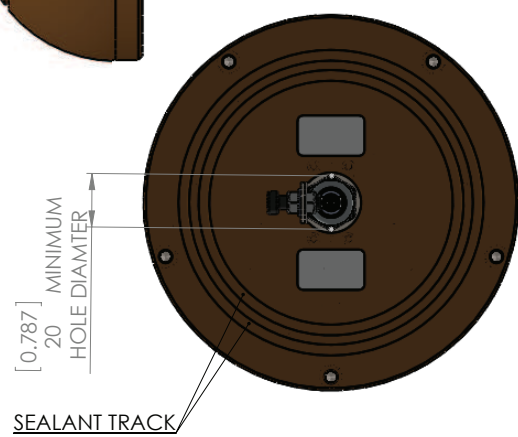
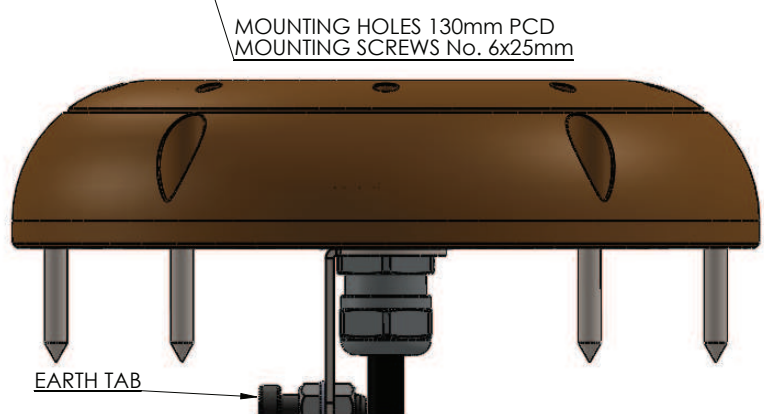
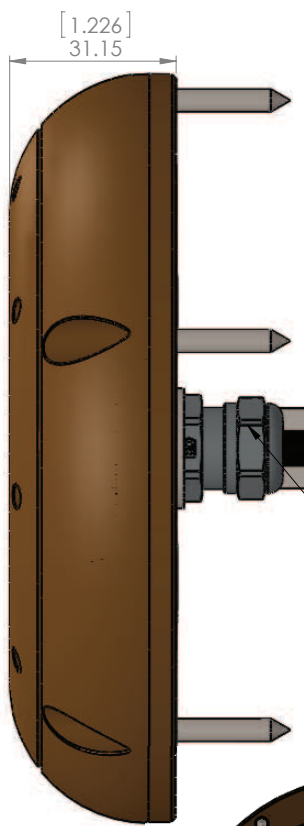
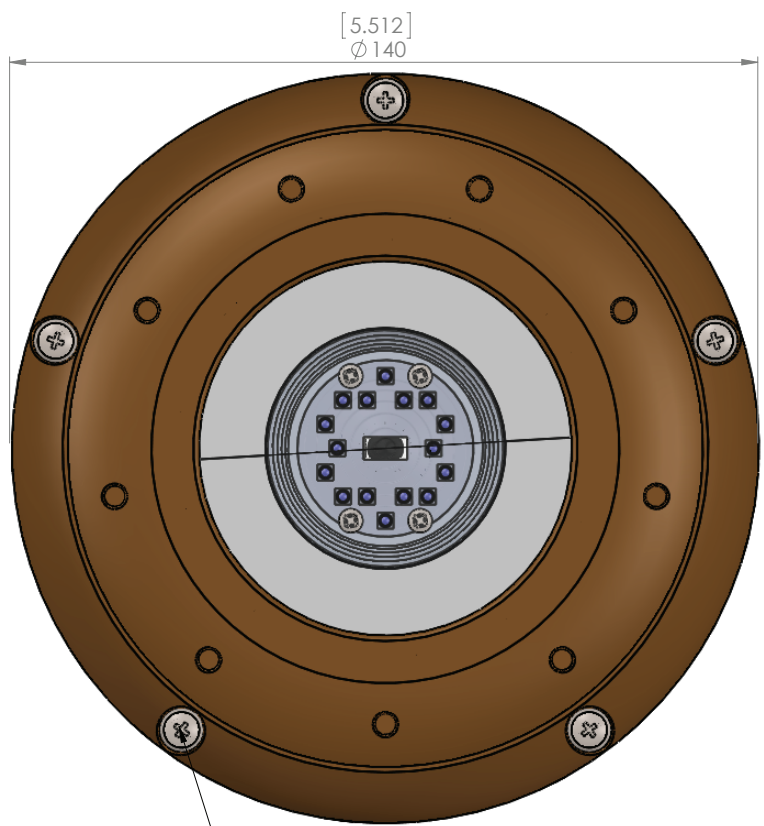


A B C D E F G H I J K

SPECIFICATIONS

	HAMMERHEAD H16	HAMMERHEAD H20
LUMENS	5600	9000
WATTAGE	90	122
No. LEDs	16	20
1 @ 12V	7.5	N/A
1 @ 24V	3.8	5.1
BEAM ANGLE	65 DEG FWHM	65 DEG FWHM
LIGHT DIA	140mm, 5.5"	140mm, 5.5"
LIGHT HEAD HEIGHT	30.75mm, 1.2"	30.75mm, 1.2"
LIGHT OVERALL LENGTH	55mm, 2.16"	55mm, 2.16"
MOUNTING HOLES PCD	130mm, 5.12"	130mm, 5.12"
HULL CUTOOUT DIA	25mm, 1"	25mm, 1"
LIGHT APERTURE	70mm, 2.76"	70mm, 2.6"
WEIGHT	2.3KG	2.3KG
LENS	8mm BOROSILICATE WITH ANTI-STICK COATING	8mm BOROSILICATE WITH ANTI-STICK COATING



ALL DIMENSIONS ARE IN MILLIMETERS
TOLERANCES ON CASTINGS, UNMACHINED PARTS AND FABRICATIONS, +/- 0.8
TOLERANCES ON MACHINED DIMENSIONS
WHOLE UNITS +/- 0.25
ONE DEC. PLACE +/- 0.1
TWO DEC. PLACE +/- 0.05
ANGLES +/- 0.5 DEG.
ALL UNSPECIFIED CHAMFERS 1 x 45
BREAK ALL SHARP EDGES 0.1 TO 0.5

Iss	Rev	Status	Date	Change	Drawn	Chk'd	Appv'd	Notes
F00	A	REL	01/09/2014		DWL	DWL		
F00	B	REL	15/09/2014	BORDER	DWL	DWL	DWL	
F00	C	REL	22/10/2014	TABLE	DWL	DWL	DWL	

Notes:

PPN.

THIRD ANGLE PROJECTION
Sheet 1 of 4
Scale 1:1
A3

Description.	HAMMERHEAD H16 & H20		
Material.			
Finish.			
DWG No.	Iss.	Rev.	Status.
GAA-0102 Iss F00C	F00	C	RELEASED



© 2014 COASTLINE LED THIS DOCUMENT MUST NOT BE REPRODUCED IN WHOLE OR IN PART AND MUST NOT BE USED OR DISCLOSED WITHOUT THE WRITTEN AUTHORISATION OF COASTLINE LED. NO DEVIATION FROM THIS DRAWING IS PERMISSIBLE WITHOUT WRITTEN AUTHORISATION FROM COASTLINE LED.