

Thank you for purchasing a BOSS Audio Systems product. Please read through these instructions carefully so you will know how to install this product properly.

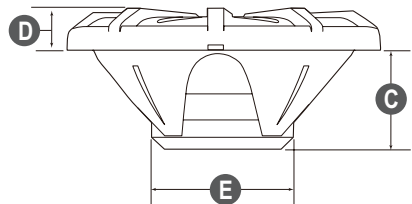
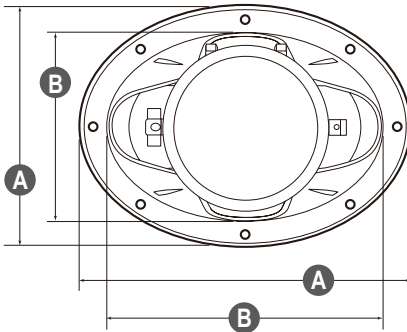
Package contents

- 2x Speakers (with fixed grill)
- 8x Mounting screws and clip nuts
- 2x EVA gaskets
- Cutout template and warranty

Specifications

- **2-way speaker, full range**
Woofers: 6" x 9" (152 x 229 mm), polypropylene cone, resin treated cloth surround
Tweeter: 1" (25 mm), dome
- **Output power:** max 350 W
- **Nominal impedance:** 4 Ω
- **Frequency response:** 60 Hz-20 kHz
- **System sensitivity:** 92 dB (1 watt/1 meter)
- **Outdoor use. Water resistant, but never submerge.**

Speaker dimensions



- A.** Overall diameter: 7.75" x 10.5" (197 x 267 mm)
B. Mounting hole diameter: 6.02" x 8.78" (153 x 223 mm)

- C.** Mounting depth: 3.38" (86 mm)
D. Grill protrusion: 1.375" (35 mm)
E. Outer motor diameter: 4.80" (122 mm)

Installation

Important notes

- Consult an expert when in doubt about installation. Professional installation is always recommended.
- Prior to installation, disconnect the negative terminal of the vehicle battery.
- When installing the speakers, take into consideration the risks that can arise from devices being torn away in the case of an accident. Therefore, make sure the speakers are firmly secured and the mounting area is sufficiently stable.
- If you must modify the vehicle for the speaker installation, make sure you do not impair the safety and structural integrity of the vehicle.
- Before you drill or cut any holes, investigate your vehicle's layout very carefully. Take special care when you work near the fuel tank, fuel lines, hydraulic lines and electrical wiring.

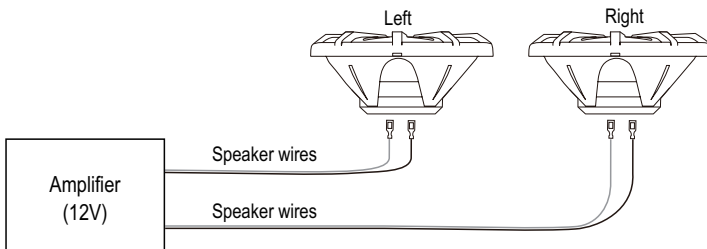
Mounting

If you replace your vehicle's existing speakers, simply use the existing mounting locations. Or create a cutout in your vehicle panel for speaker installation.

1. Determine the location (e.g. side panels or dash panel) where the speakers are to be mounted.
2. Cut a mounting hole and screw holes on the mounting surface as follows:
 - Verify the supplied template matches the speaker and mounting cut-out.
 - Cut out the template along the cut line. Use the cut-out template to mark the mounting hole and screw holes on the mounting surface. Then cut the holes for the speaker to be mounted.
3. Complete the speaker wiring connection.
4. Fasten the speaker into the mounting hole with four supplied screws and clip nuts.
Make sure the speaker sits flush across the entire mounting surface.
Make sure to properly break in speakers and not reach max volume until after two 20 minute cycles at regular volume.

Wiring

- Using high quality marine-grade speaker wires with spade connectors (not included), connect the speakers to your 12VDC source unit (to audio outputs on the amplifier or speaker wires of the head unit).
The positive wire is connected to the terminal marked "+" and the negative wire to the terminal marked "-". Make sure the wires are firmly attached to the terminals.



- Make sure the speakers are wired correctly at 4 ohms. Observe speaker polarity when making connections.
- Avoid routing wires near any sharp or moving parts. Run wires away from other wires that may cause unwanted noise. Insulate bare wires properly.