

**USER'S MANUAL**

# **MR752C**

**7.5" (191mm) 2-WAY MARINE SPEAKERS**

# **MR652C**

**6.5" (165mm) 2-WAY MARINE SPEAKERS**

**BOSS<sup>®</sup>**  
**AUDIO SYSTEMS**

	<b>MR652C</b>	<b>MR752C</b>
<b>Tweeter Type</b>	1" PEI Dome	1" PEI Dome
<b>Max Power (watts)</b>	350	400
<b>Efficiency (1W/1M)</b>	90	92
<b>Frequency Response</b>	40-20kHz	60-20kHz
<b>Min. Mounting Depth Allowing Clearance(mm/in)</b>	62mm / 2 7/16"	70mm / 2 3/4"
<b>Impedance</b>	4 ohms	4 ohms
<b>Sealed Enclosure Volume (cu.ft)</b>	0.43	0.71
<b>Ported Enclosure Volume (cu.ft)</b>	0.9	1.25
<b>Ported diameter (mm/in)</b>	50mm(2")	60mm(2-3/8")
<b>Port length (mm/in)</b>	25mm(1")	30mm(1-3/16")

## Calculating Required Enclosure Volume

These loudspeakers will perform best if they are installed in a sealed or a ported enclosure with the appropriate interior volume. Please refer to the tables for the suggested volume for your speaker and application.

These volumes are provided in the table above are in cubic feet. In order to design your enclosure, you will first need to convert this data to cubic inches. To convert cubic feet to cubic inches, simply multiply by 1728:

Model	Sealed volume	Ported volume
MR652C	743 cu in.	1227 cu in.
MR752C	1572 cu in.	2160 cu in.

### Calculating Enclosure Dimensions

Calculating the exterior cabinet dimensions requires that you first estimate height and width of the enclosure based on the available space in your boat. You then work with this estimate to determine the depth of the cabinet.

For example:

1. You want an MR652C sealed enclosure with exterior dimensions of 8"W x 10" H.
2. Subtract the cabinet material thickness (3/4" MDF x 2) from the

exterior W X H = 6.5" x 8.5" (this yields the interior W x H).

3. Multiply (interior width) x (interior height):  $6.5" \times 8.5" = 55.25"$ .

4. Divide the required interior volume from the table by this number:  $743 \div 55.25 = 13.45"$ . This reveals the interior depth required.

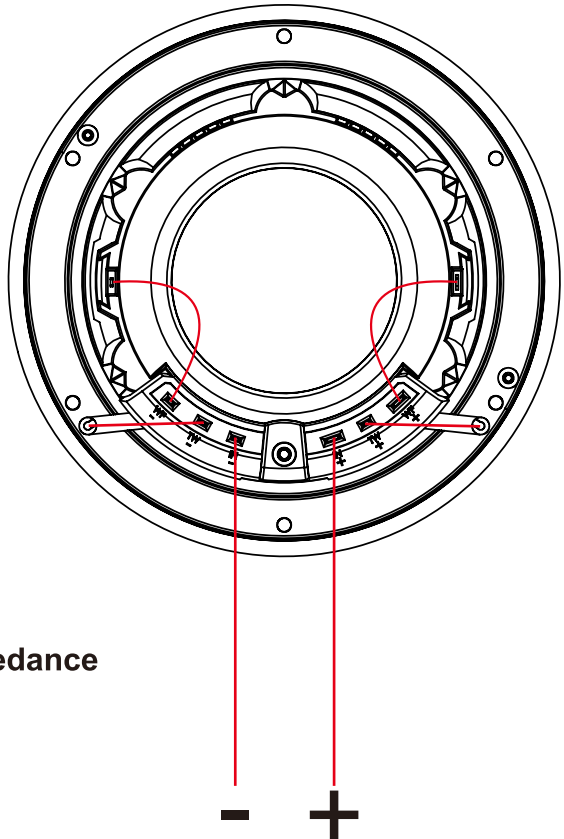
5. Add 1-1/2" to this dimension to calculate exterior depth:  $13.45" + 1.5" = 12.95"$ .

In the above example we showed that one possible sealed cabinet size for MR652C is approx. 8" x 10" x 13". We can see that if a 13" deep enclosure cannot be accommodated in your boat, it will be necessary to increase the height, width or both to come out with an enclosure of acceptable size with the appropriate interior volume.

Important considerations when building an enclosure

Be sure that the cabinet is air-tight. Joints should be glued and caulked on the interior of the joints.

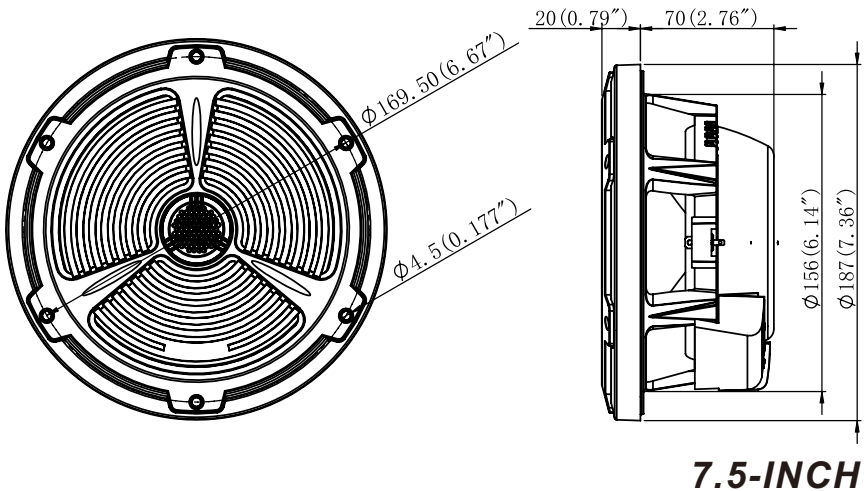
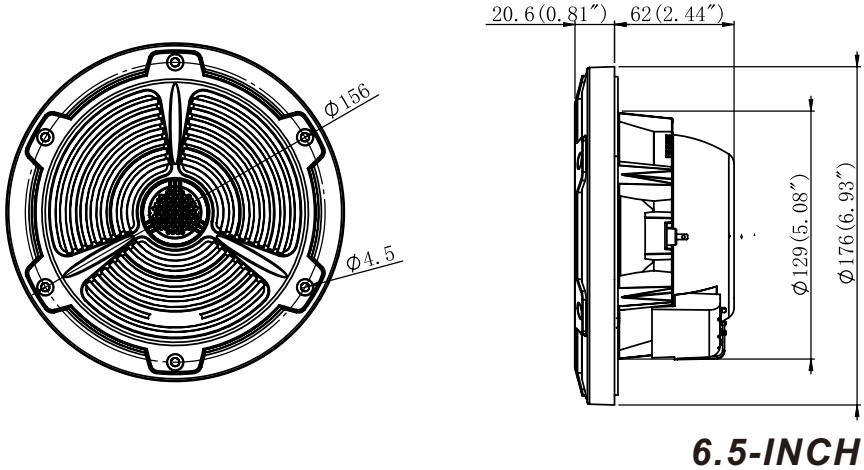
For marine cabinets which may be exposed to moisture, be sure to use an appropriate marine varnish to seal the surface of the MDF well.



## Wiring

for the correct impedance

# SPEAKER DIMENSIONS



## ***6.5-INCH FULL RANGE MARINE SPEAKER***

- 6.5”(165mm) CUSTOM TOOLED HIGH EFFICIENCY POLY INJECTION CONE BUTYL RUBBER SURROUND
- 1-1/2”(38mm) ALUMINUM VOICE COIL
- 350 watts peak / 175 watts RMS
- FREQUENCY RESPONSE:60Hz-20KHz
- SENSITIVITY:90dB(1WATT/1METER)
- IMPEDANCE:4 OHMS
- MOUNTING DEPTH:2-7/16”(62mm)
- MOUNTING DIAMETER:6 2/16”(156mm)

## ***7.5-INCH FULL RANGE MARINE SPEAKER***

- 7.5”(190mm) CUSTOM TOOLED HIGH EFFICIENCY POLY INJECTION CONE BUTYL RUBBER SURROUND
- 1-1/2”(38mm) ALUMINUM VOICE COIL
- 400 watts peak / 200 watts RMS
- FREQUENCY RESPONSE:40Hz-20KHz
- SENSITIVITY:92dB(1WATT/1METER)
- IMPEDANCE:4 OHMS
- MOUNTING DEPTH:2-3/4”(70mm)
- MOUNTING DIAMETER:6 11/16”(169.5mm)

# MR752C

7.5" (191mm) 2-WAY MARINE SPEAKERS

# MR652C

6.5" (165mm) 2-WAY MARINE SPEAKERS

1013

**BOSS**<sup>®</sup>  
**AUDIO SYSTEMS**

3451 Lunar Court • Oxnard, CA 93030

[www.bossaudio.com](http://www.bossaudio.com)

800.999.1236

tech support: [www.bossaudio.com/support](http://www.bossaudio.com/support)

