

# Product Specifications

## Speaker Impedance

Free Air Resonance	(Fs)	32
Total Q Driver @ FS including all resistance's	(Qts)	0.453
Q of the Driver @ FS including non electrical resistance only	(Qms)	2.352
Q of the Driver @ FS including electrical resistance only	(Qes)	0.562
The Driver's compliance expressed as an equivalent	(Vas)	3
The Driver's linear displacement (inches)	(Xmax)	0.197
The DC resistance of the driver's twin voice coils(ohms)	(Re)	4
Thermal Power rating of Driver (R.M.S./Peak)	(Pe)	400W/800W
The Driver's voice coil inductance(millihenries)	(le)	2.04
The Driver's sensitivity (dB)	(Sens)	94

**BOSS<sup>®</sup>**  
**AUDIO SYSTEMS**

## **MR120** **12-inch MARINE** **SUBWOOFER**

**BOSS<sup>®</sup>**  
**AUDIO SYSTEMS**

**INSTALLATION MANUAL**

Thank you for purchasing **BOSS** speaker systems. Engineered in the USA, **BOSS** offers innovative products that are on the cutting edge of design and performance.

If you have any question about the installation or operation of your **BOSS** speaker system which are not answered by this manual, contact your dealer in first instance.

## Precautions

- Before making holes, check the mounting space with supplied template
- To prevent noise pick-up, keep the wiring of this unit away from motors, high-voltage leads and other possible noise, source.
- To prevent short-circuit, keep all wiring away from moving parts sharp edges.
- Make sure you have carefully read and understood the installation instruction.

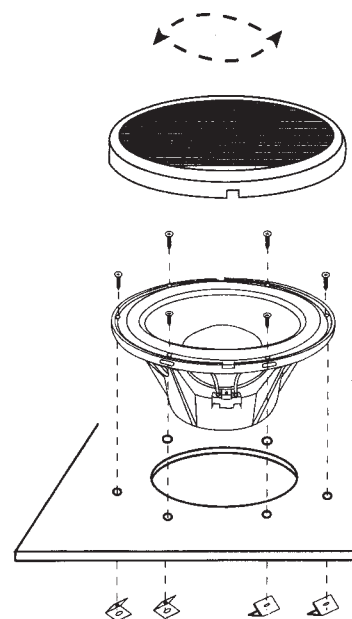
# 12" Marine Subwoofer

(400 Watts RMS Sealed Enclosure)

- HIGH QUALITY POLYPROPYLENE CONE
- BUTYL RUBBER SURROUND
- 80 OZ. MAGNET STRUCTURE
- 2.5" HIGH TEMPERATURE KAPTON VOICE COIL
- 800 WATTS PEAK / 400 WATTS RMS
- FREQUENCY RESPONSE: 30 HZ - 2 KHZ
- SPL: 94 DB (1WATT/1METER)
- IMPEDANCE: 4 OHM
- MOUNTING DEPTH: 5-5/8"

## Woofer Installation Instruction

1. Using mounting template for woofer, mark the correct mounting loaction by a pencil or pen.



2. Cut out the panel so that the woofer will be able to drop in the hole.
3. Rotate the plastic grill counterclockwise to separate it from the woofer.
4. Connect the speaker terminals to the amplifier by using speaker wire.
5. Mount the woofer using the nuts and bolts that is provided or you can use the screws.
6. Put the plastic grill back with the woofer, rotate it clockwise.