

OWNER'S GUIDE &

INSTALLATION INSTRUCTIONS

Thru-hull Depth Transducer

Low Profile, Flush, and Retractable Models

06/01/10
17-006-01 rev. 09

WARNING: Always wear safety goggles and a dust mask when installing to avoid personal injury.

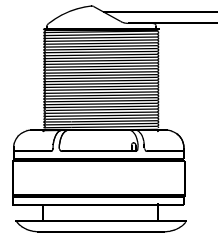
CAUTION: Never install a metal transducer on a vessel with a positive ground system.

CAUTION: Never use solvents. Cleaners, fuel, sealants, paint, and other products may contain strong solvents, such as acetone, which attack many plastics, greatly reducing their strength.

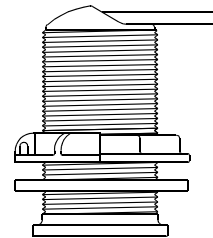
IMPORTANT: Read the instructions completely before proceeding with the installation. These instructions supersede any other instructions in your instrument manual if they differ.

Record the information found on the cable tag for future reference.

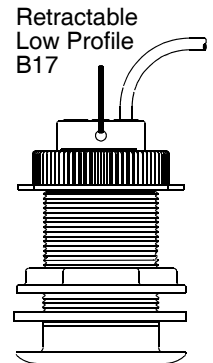
Part No. _____ Date _____ Frequency _____ kHz



Low Profile
P319



Flush
P219



Retractable
Low Profile
B17

Applications

- **Plastic** housing recommended for fiberglass or metal hulls only. *Never* install a plastic transducer in a wood hull, since swelling of the wood can possibly fracture the plastic.
- **Bronze** housing recommended for fiberglass or wood hulls. *Never* install a bronze housing in an aluminum hull, because electrolytic corrosion will occur.
- **Stainless steel** housing compatible with all hull materials. Recommended for aluminum hulls to prevent electrolytic corrosion *provided the stainless steel housing is isolated from the metal hull.*
- Accommodates up to a 20° deadrise angle.

Tools & Materials

Safety goggles
Dust mask
Electric drill with 10mm (3/8") or larger chuck capacity
Drill bit: 3mm or 1/8"
Hole saw (see table opposite)
Countersink tool (installing a flush housing)
Sandpaper
Mild household detergent or weak solvent (such as alcohol)
File (installation in a metal hull)
Marine sealant (suitable for below waterline)
Slip-joint pliers (installing a metal housing)
Grommet(s) (some installations)
Cable ties
Water-based anti-fouling paint (**mandatory in salt water**)
Installation in a cored fiberglass hull (see page 4):
Hole saw for hull interior: (see table on this page)
Fiberglass cloth and resin
or Cylinder, wax, tape, and casting epoxy

Identify Your Model

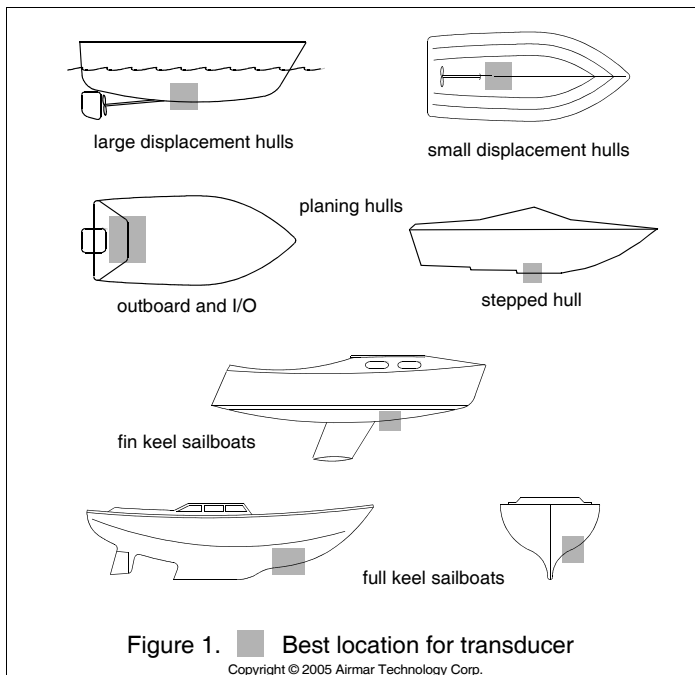
The model name is printed on the cable tag.

Mounting Location

CAUTION: Do not mount near water intake or discharge openings or behind strakes, fittings, or other hull irregularities.

- The water flowing under the hull must be smooth with a minimum of bubbles and turbulence (especially at high speeds).
- The transducer must be continuously immersed in water.
- The transducer beam must be unobstructed by the keel or propeller shaft(s).
- Choose a location away from interference caused by power and radiation sources such as: the propeller(s) and shaft(s), other machinery, other echosounders, and other cables. The lower the noise level, the higher the echosounder gain setting that can be used.
- Choose a location with a minimal deadrise angle, so the transducer beam will be aimed at the bottom.
- Choose an accessible spot inside the vessel with adequate headroom for the height of the housing, tightening the nuts, and removing any insert (see the table below).

Model (Housing)	Minimum Headroom	Outside Hull Hole Saw Size	Cored Fiberglass Hull Hull Interior Hole Saw Size
Low Profile: B22, B117, P19, P319	95 mm (3-3/4")	51 mm or 2"	60 mm or 2-3/8"
Low profile: SS60	95 mm (3-3/4")	60 mm or 2-3/8" in a fiberglass or wood hull 70 mm or 2-3/4" in a metal hull	70 mm or 2-3/4"
Flush: B21, P219, P269	100 mm (4")	51 mm or 2"	60 mm or 2-3/8"
Retractable: B17, B21, P217, P314	200 mm (8")	51 mm or 2"	60 mm or 2-3/8"
Retractable: SS577	200 mm (8")	51 mm or 2" in a fiberglass or wood hull 57 mm or 2-1/4" in a metal hull	60 mm or 2-3/8"



Hull Types (see Figure 1)

- **Displacement hull powerboats**—Locate amidships near the centerline. The starboard side of the hull where the propeller blades are moving downward is preferred.
- **Planing hull powerboats**—Mount well aft, on or near the centerline, and *well inboard of the first set of lifting strakes* to ensure that the transducer will be in contact with the water at high speeds. The starboard side of the hull where the propeller blades are moving downward is preferred.
Outboard and I/O—Mount just forward of the engine(s).
Inboard—Mount well ahead of the propeller(s) and shaft(s).
Stepped hull—Mount just ahead of the first step.
Boat capable of speeds above 25 kn (29MPH)—Review the installation location and operating results of similar boats before proceeding.
- **Fin keel sailboats**—Mount on or as close as possible to the centerline and forward of the fin keel 300–600mm (1–2’).
- **Full keel sailboats**—Locate amidships and away from the keel at the point of minimum deadrise.

Fairing

CAUTION: Never use a fairing with a plastic housing. The protruding transducer would be vulnerable to damage from impact.

Generally, the transducer is mounted *without* a fairing. However, nearly all vessels have some deadrise angle at the transducer mounting location. If the transducer is mounted directly to the hull, the sound beam will not be aimed straight down. A fairing is recommended if the deadrise angle at the mounting location exceeds 10° and you are installing a METAL housing only.

Installation

Cored fiberglass hull—Follow separate instructions on page 4.

WARNING: Always wear safety goggles and a dust mask.

CAUTION: Never pull, carry, or hold the transducer by its cable; this may sever internal connections.

Hole Drilling

1. Drill a 3 mm or 1/8" pilot hole from inside the hull. If there is a rib, strut, or other hull irregularity near the selected mounting location, drill from the outside.
2. Using the appropriate size *outside hull* hole saw, cut a hole from outside of the hull perpendicular to the hull surface (see table on page 1).
Flush housing—Use a countersink tool to make a “seat” in the hull.
3. Sand and clean the area around the hole, inside and outside, to ensure that the marine sealant will adhere properly to the hull. If there is any petroleum residue inside the hull, remove it with either mild household detergent or a weak solvent (alcohol) before sanding.
Metal hull—Remove all burrs with a file and sandpaper.

Bedding

CAUTION: A stainless steel housing must be isolated from a metal hull to prevent electrolytic corrosion.

Apply a 2mm (1/16") thick layer of marine sealant around the flange of the housing that will contact the hull and up the sidewall of the housing (see Figure 2). The sealant must extend 6mm (1/4") higher than the combined thickness of the hull, washer, any spacer, and the hull nut. This will ensure there is sealant in the threads to seal the hull and to hold the hull nut securely in place.

Stainless steel housing in a metal hull—To isolate the stainless steel housing from the metal hull, slide the isolation bushing onto the housing (see Figure 3). Apply *additional* marine sealant to the surfaces of the bushing that will contact the hull, filling any cavities in and around the bushing.

Installing

NOTE: Ignore any arrows on the housing, insert, and blanking plug.

WARNING: B117 and P319—Do not use the spacer if there is insufficient space to tighten the nut or it is within 11 mm (1/2") of the top of the housing.

WARNING: Stainless steel transducer in metal hull—Be sure the washer contacts the hull. Do not tighten the hull nut with the washer against the isolation bushing, as the housing will not be firmly installed. If necessary, sand the isolation bushing until the washer rests against the hull.

1. From outside the hull, push the housing into the mounting hole using a twisting motion to squeeze out excess marine sealant.
2. From inside the hull, slide the washer onto the housing (see Figure 2).
B117 and P319—Also slide the spacer onto the housing and rest it against the washer.
3. Screw the hull nut in place.
Plastic housing—If your housing has wrenching flats, do not clamp tightly possibly causing the housing to fracture.
Plastic hull nut—Hand-tighten only. Do not over tighten.
Metal hull nut—Tighten with slip-joint pliers.
Cored Fiberglass Hull—Do not over tighten, crushing the hull.
Wood hull—Allow the wood to swell before tightening the hull nut.
4. Remove any excess marine sealant on the outside of the hull to ensure smooth water flow over the transducer.

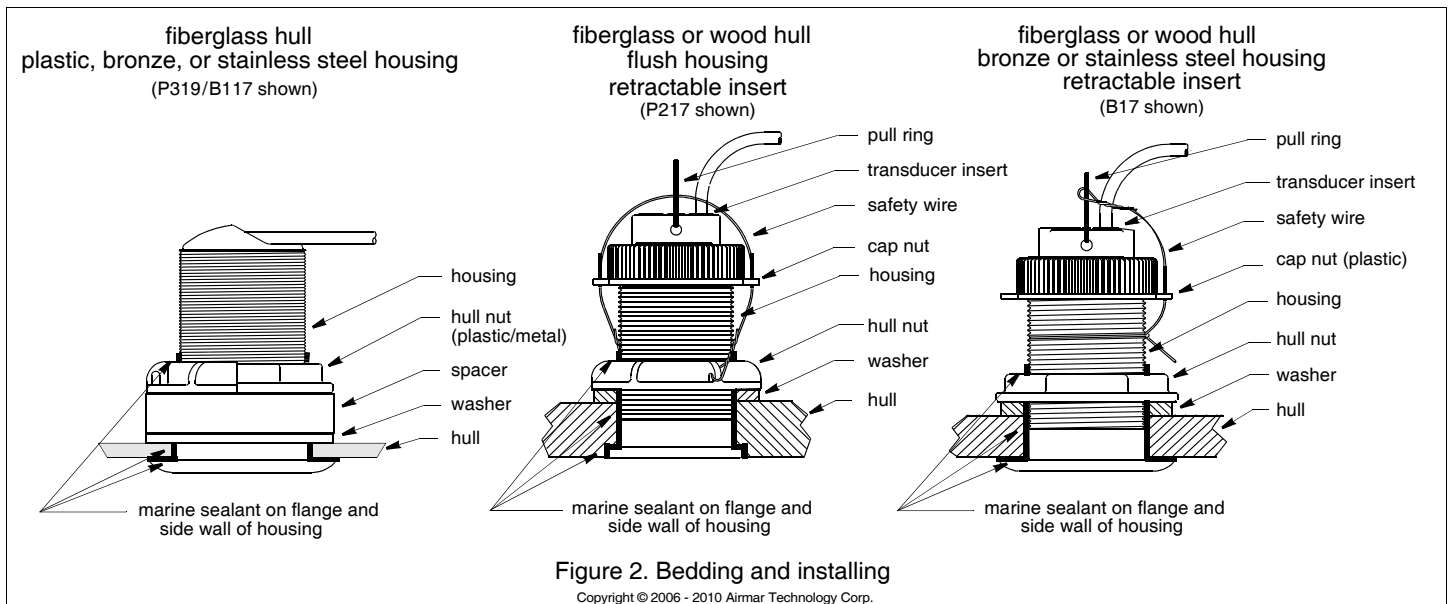


Figure 2. Bedding and installing
Copyright © 2006 - 2010 Airmar Technology Corp.

Retractable Models Only

WARNING: The O-rings must be intact and well lubricated to make a watertight seal.

WARNING: Always attach the safety wire to prevent the transducer insert from backing out in the unlikely event that the cap nut fails or is screwed on incorrectly.

1. After the marine sealant cures, inspect the O-rings on the transducer insert (replace if necessary) and lubricate them with the silicone lubricant supplied. Slide the insert into the housing. Seat the insert into place with a twisting motion until the key fits into the notch. Be careful not to rotate the housing and disturb the marine sealant. Screw the cap nut in place and **hand-tighten** only. Do not over tighten.
2. Attach the safety wire.

Plastic housing—Attach the safety wire to one eye in the hull nut. Keeping the wire taut throughout, lead the wire in a counterclockwise direction and thread it through one eye in the cap nut, the pull ring, the second eye in the cap nut, and the second eye in the hull nut. Twist the wire securely to itself.

Metal housing—Wrap one end of the safety wire tightly around the housing and twist it together with the long end. Keeping the wire taut throughout, lead the wire straight up and through the eye in the cap nut. Loop the wire through the pull ring and twist it securely to itself.

Cable Routing & Connecting

CAUTION: If your transducer came with a connector, do not remove it to ease cable routing. If the cable must be cut and spliced, use Airmar’s splash-proof Junction Box No. 33-035 and follow the instructions provided. Removing the waterproof connector or cutting the cable, except when using a water-tight junction box, will void the sensor warranty.

1. Route the cable to the instrument, being careful not to tear the cable jacket when passing it through the bulkhead(s) and other parts of the boat. Use grommets to prevent chafing. To reduce electrical interference, separate the transducer cable from other electrical wiring and the engine. Coil any excess cable and secure it in place using cable ties to prevent damage.
2. Refer to the echosounder owner’s manual to connect the transducer to the instrument.

Retractable Models Only—Blanking Plug

WARNING: The O-rings must be intact and well lubricated to make a watertight seal.

WARNING: Always attach the safety wire to prevent the blanking plug from backing out in the unlikely event that the cap nut fails or is screwed on incorrectly.

1. On the blanking plug, inspect the O-rings (replace if necessary) and lubricate them with the silicone lubricant supplied or petroleum jelly (Vaseline®).
2. Remove the transducer insert from the housing by removing the safety wire and unscrewing the cap nut (see Figure 2).
3. With the blanking plug ready in one hand, pull the transducer insert most of the way out. Remove the insert and rapidly replace it with the blanking plug. Seat it into place with a pushing twisting motion until the key fits into the notch in the housing. With practice, only 250ml (10oz.) of water will enter the boat. Screw the cap nut in place and **hand-tighten** only. Do not over tighten
4. Reattach the safety wire.

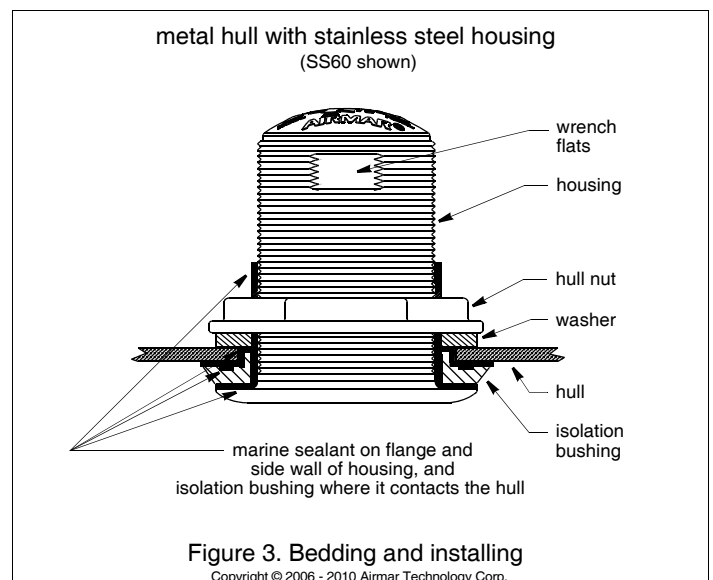


Figure 3. Bedding and installing
Copyright © 2006 - 2010 Airmar Technology Corp.

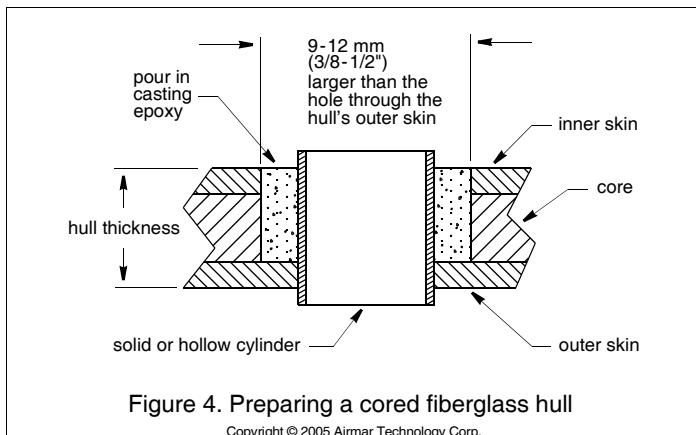


Figure 4. Preparing a cored fiberglass hull

Copyright © 2005 Airmar Technology Corp.

Checking for Leaks

WARNING: Do not leave the boat in the water unchecked for several days.

When the boat is placed in the water, **immediately** check around the thru-hull transducer for leaks. Note that very small leaks may not be readily observed. Do not leave the boat in the water for more than 3 hours before checking it again. If there is a small leak, there may be considerable bilge water accumulation after 24 hours. If a leak is observed, repeat "Bedding" and "Installing" **immediately** (see page 2).

Installation in a Cored Fiberglass Hull

The core (wood or foam) must be cut and sealed carefully. The core must be protected from water seepage, and the hull *must* be reinforced to prevent it from crushing under the hull nut allowing the housing to become loose.

WARNING: Always wear safety goggles and a dust mask.

CAUTION: Completely seal the hull to prevent water seepage into the core.

1. Drill a 3 mm or 1/8" pilot hole from inside the hull. If there is a rib, strut, or other hull irregularity near the selected mounting location, drill from the outside. (If the hole is drilled in the wrong location, drill a second hole in a better location. Apply masking tape to the outside of the hull over the incorrect hole and fill it with epoxy.)
2. Using the appropriate size *outside hull* hole saw, cut a hole from outside the hull through the *outer* skin only (see table on page 1) (see Figure 4).
3. From inside the hull using the appropriate size *hull interior* hole saw, cut through the *inner* skin and most of the core (see table on page 1). The core material can be very soft. Apply only light pressure to the hole saw after cutting through the *inner* skin to avoid accidentally cutting the *outer* skin.
4. Remove the plug of core material, so the *inside* of the outer skin and the inner core of the hull is fully exposed. Sand and clean the inner skin, core, and the outer skin around the hole.
5. If you are skilled with fiberglass, saturate a layer of fiberglass cloth with a suitable resin and lay it inside the hole to seal and strengthen the core. Add layers until the hole is the correct diameter.
6. Alternatively, a hollow or solid cylinder of the correct diameter can be coated with wax and taped in place. Fill the gap between the cylinder and hull with casting epoxy. After the epoxy has set, remove the cylinder.
7. Sand and clean the area around the hole, inside and outside, to ensure that the marine sealant will adhere properly to the hull. If there is any

petroleum residue inside the hull, remove it with either mild household detergent or a weak solvent (alcohol) before sanding.

8. Proceed with "Bedding", "Installing", and "Cable Routing & Connecting" (see pages 2 and 3).

Maintenance, Parts & Replacement

Anti-fouling Paint

Surfaces exposed to salt water must be coated with anti-fouling paint. Use *water-based* anti-fouling paint only. Never use ketone based anti-fouling paint, since ketones can attack many plastics possibly damaging the transducer. Apply anti-fouling paint every 6 months or at the beginning of each boating season.

Retractable models—Paint the following surfaces:

- Outside wall of the insert below lower O-ring and exposed end
- Bore of the housing up 30mm (1-1/4")
- Exterior flange of the housing
- Blanking plug below the lower O-ring including the exposed end

Cleaning

Aquatic growth can accumulate rapidly on the transducer's surface, reducing its performance within weeks. Clean the surface with a Scotch-Brite® scour pad and mild household detergent, *being careful* to avoid making scratches. If the fouling is severe, lightly wet sand it with fine grade wet/dry paper.

Retractable Models—Winterizing

After the boat has been hauled for winter storage, remove the blanking plug to let the water drain away before reinserting it. This will prevent any water from freezing around the blanking plug and possibly cracking it.

Replacement Transducer & Parts

The information needed to order a replacement Airmar transducer is printed on the cable tag. Do not remove this tag. When ordering, specify the part number, date, and frequency in kHz. For convenient reference, record this information on the top of page one.

Lost, broken, or worn parts should be replaced immediately. Any O-rings must be free of abrasions and cuts to ensure a watertight seal.

Model	Housing, Washer, & Hull Nut or Spacer	Hull Nut	Cap Nut	Blanking Plug
B17 B21	33-100 (bronze, low profile) 33-224-01 (bronze, counterbore)	02-030	04-234 (plastic) 02-131-01 (bronze)	33-414
B22 B117	04-646-01 (spacer)	02-030	—	—
P19 P219 P269	—	04-004	—	—
P217 P314	33-217 (plastic, flush) 33-092-01 (plastic, counterbore)	04-004	04-234 (plastic)	33-414
P319	04-646-01 (spacer)	04-004	—	—
SS60	09-813-01 (washer)	02-563-01	—	—
SS577	33-495-01 (stainless steel, low profile)	20-570-01, 04-186-1 (bushing)	04-011 (plastic)	33-414

Obtain parts from your instrument manufacturer or marine dealer.

Gemeco
(USA)

Tel: 843.210.7000
Fax: 843.210.7170
email: sales@gemeco.com

Airmar EMEA
(Europe, Middle East, Africa)

Tel: +33.(0)2.23.52.06.48
Fax: +33.(0)2.23.52.06.49
email: sales@airmar-emea.com

AIRMAR®
TECHNOLOGY CORPORATION

35 Meadowbrook Drive, Milford, New Hampshire 03055-4613, USA

www.airmar.com

Copyright © 2006 - 2010 Airmar Technology Corp. All rights reserved.