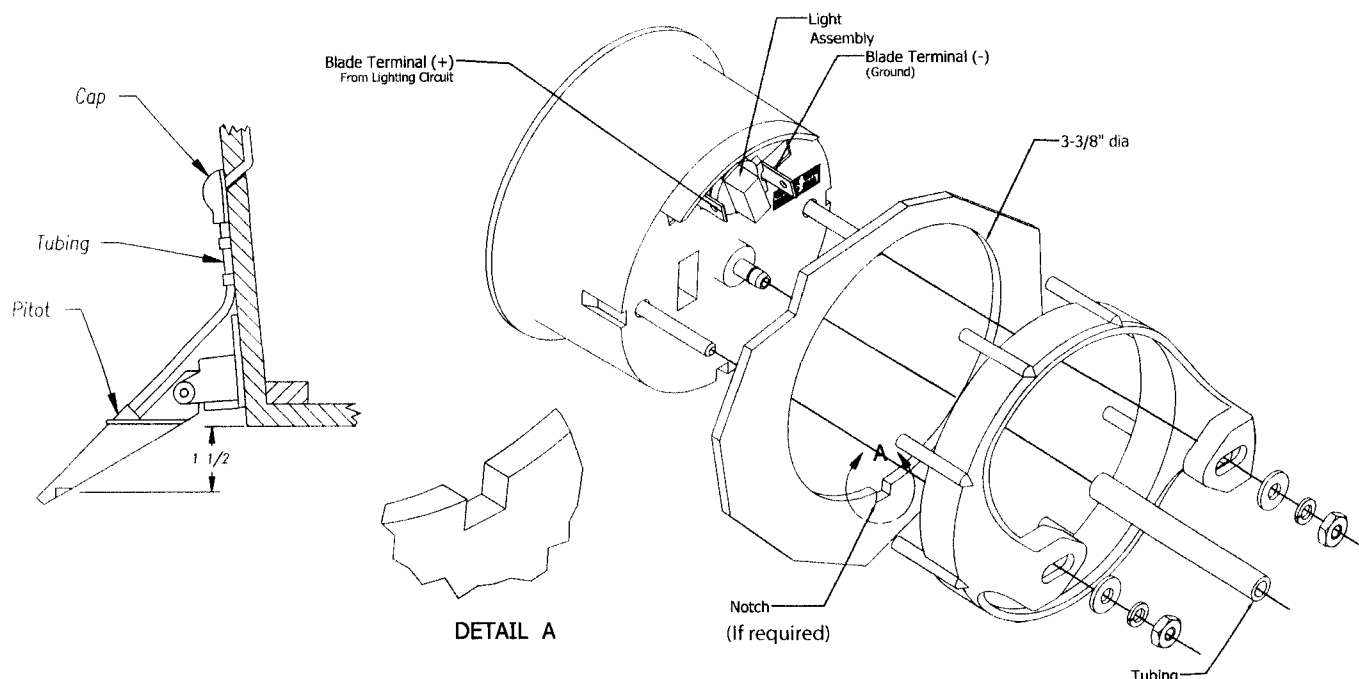


CAUTION: Disconnect the battery during installation. Tighten nuts on the back clamp only slightly more than you can tighten with your fingers. Six inch-pounds of torque are sufficient. Over tightening may result in damage to the instrument and may void your warranty. Gasket cement or other adhesive is not required to secure tubing to fittings.

1. Be certain to use stranded, insulated wire not lighter than 18AWG that is approved for marine use. It is recommended that 1/4" insulated blade terminals be used on lighting connections to the instrument.
2. Locate and install the pitot tube assembly on the transom in a vertical position, at least 6" away from the propeller blade tips. The intake hole must also be 1-1/2" or more below the bottom of the hull. Do not place behind any runner or keel, as this will affect its accuracy.
3. Locate a convenient place above the water line to bring the tubing through. Drill a 1/4" hole at this location and pull the tubing through. Use a marine sealer on the cap plate and draw the plate tight against the transom using the screws provided. Press the tubing fully onto the male fitting on pitot assembly. Gasket cement or other adhesive is not required to secure tubing to fittings.
4. Run the tubing along the inside of the boat's gunwale. Avoid sharp turns, crimping, kinking, or other forces that may reduce the inside diameter of the tubing. Fasten the tubing at regular intervals with small plastic clips supplied (again be careful to not pinch the tubing). A slight downward slope from bow to stern will help avoid trapping water. Do not coil any excess tubing, as it should be cut to the desired length.
5. Cut a 3-3/8" diameter hole in the dash and mount the speedometer with the back clamp supplied. If required, cut a .175" wide by .115" deep notch to accept the key on the case. See detail below.
6. After installing the speedometer in the dash, cut tubing (leave a small amount of slack) and press fully male fitting on the back of the speedometer.
7. Connect the blade terminals adjacent to the twist-out light assembly to the positive (+) and negative (-) sides of the boat's lighting circuit. Reconnect the battery.

NOTE: To change light bulb, twist out black socket assembly one-eighth turn counterclockwise until it pops out. Bulb pulls straight out of assembly. It is a GE No. 194 instrument lamp. (See diagram below for connections)



For technical assistance, contact Faria® Marine Instruments Customer Service between 8:30 AM and 5:30 PM Eastern time weekdays at (860) 848-9271 or (800) 473-2742.