

Cobra MARINE™

MARINE VHF TRANSCEIVER
ÉMETTEUR-RÉCEPTEUR VHF MARINE
RICETRASMITTENTE VHF MARINE
TRANSCÉPTOR VHF MARINE
VHF MARINRADIO



INTERNATIONAL, U.S.A.
AND CANADA CHANNELS



ONE BUTTON CLASS D DSC
(With Dedicated Ch. 70 Receiver)



GPS CAPABILITY



NOISE CANCELING
SPEAKER/MICROPHONE WITH CONTROLS



SUBMERSIBLE
MEETS JIS7 STANDARDS



UNIQUE FEATURES FOR THE MR F75 EU:

- Tri-Watch
- Memory Scan
- PA Capability
- DSC Call Waiting

ACCESSORIES INCLUDED:

- Flush Mount Kit
- Surface/Overhead Mount
- GPS Interface Cable



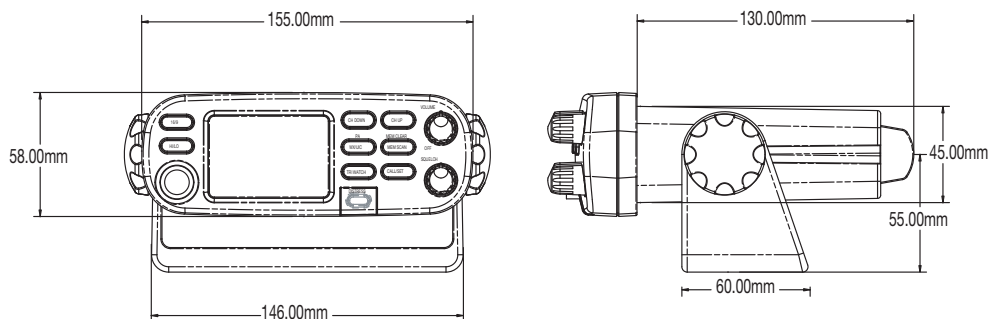
Surface and flush mounting kits included



**SUPERSIZE
ILLUMINATED
LCD DISPLAY!**

MR F75 EU

Feature	Benefit
1 or 25 Watts	Dual output power for short and long communication.
International, U.S.A. & Canada Channels	Allows operation on any of the three (3) different channel maps established for these areas.
Private Channels	Available for programming in country of purchase.
Instant Channel 16/9	Instant access to channel 16 for emergency situations.
DSC (Digital Selective Calling) Class D with dedicated ch. 70 receiver	Meets internationally recognized requirements for RTCM- SC-101 and Class D Digital Selective Calling that allows you to send a distress signal at the touch of a button or exchange position information with other boats or stations.
GPS Capability	When connected to a Cobra or most other GPS receivers, you can send your position to other boats in an emergency, or exchange position information with other boats or stations.
Tri-Watch	Monitors three (3) channels at once — Channel 16 and two (2) user selected channels.
Memory Scan	Scan channels programmed in memory to find conversations in progress.
DSC Call Waiting	Similar to the Caller ID function on a telephone, it will capture the caller's MMSI ID number and any other data included in a DSC message.
Signal Strength Meter	Shows the strength of incoming signal.
Illuminated Function Keys	Allows high visibility of function keys.
Illuminated LCD Display: Super Large	See radio settings from practically anywhere with the largest LCD available on a fixed radio.
Noise Canceling Speaker/Microphone with Controls	Blocks background noise and allows listening to radio signals on the speaker/microphone. Controls allow instant access to channel 16, speaker/microphone volume control and changing of channels & setting features.
External Speaker Jack	Allows connection of an external speaker (not included).
Public Address Capability	Allows calling other boats over a PA speaker (not included).
Submersible	Meets JIS7 standards; Submersible for 30 minutes in one meter deep water.
Included Accessories	
Flush Mount Kit & Surface Mount Kit	Easy installation of radio in or on almost any flat surface with supplied hardware.
GPS Interface Cable	Allows connection of a GPS receiver.



Unit Specifications

General	
Number of Channels	All: International, U.S.A., Canadian
Channel Spacing	25 kHz
Modulation	5 kHz Max.
Input Voltage	13.8 VDC
Current Drain:	
Stand-by	200 mA
Receive	300 mA
Transmit	5 A @ High Power 1 A @ Low Power
Temperature Range	-20°C to 60°C
Unit Dimensions	159 mm x 57 mm x 180 mm
Unit Weight (Lbs)	1059 g
Receiver	
Frequency Range	156.050 to 162.425 MHz
Receiver Type	Double Conversion Super-Heterodyne
Sensitivity:	
20 dB Quieting	0.35 uV
12 dB Sinad	0.30 uV
Adjacent Channel Selectivity	-60 dB
Intermodulation and Rejection	-60 dB
Spurious & Image Rejection	-60 dB
AF Output	4 Watts @ 8 Ohms
Transmitter	
Frequency Range	156.025 to 162.425 MHz
RF Output Power	1 or 25 Watts
Spurious Emissions	-60 dB @ High Power -55 dB @ Low Power
Microphone Type	Electret
Microphone Impedance	2000 Ohms
Frequency Stability	+/-10 ppm
FM Hum & Noise	40 dB

Packaging Specifications

Individual Clam/Box Dimensions	314 mm H x 236 mm W x 75 mm D
Individual Clam/Box Weight	1565 g
Master Pack Qty.	4
Master Pack Dimensions	317 mm H x 255 mm W x 338 mm D
Master Pack Weight	7000 g
SKU #	MR F75 EU
UPC #	0 28377 20079 3

Features and specifications subject to change.

NOTHING Comes Close to a Cobra®

©2003 CEEL, Dungar House, Northumberland Avenue, Dun Laoghaire, County Dublin, Ireland

Nothing comes close to a Cobra® and the snake design are registered trademarks of Cobra Electronics Corporation, USA. Cobra Electronics Corporation™, CEEL™ and CobraMarine™ are trademarks of Cobra Electronics Corporation, USA.

Visit our website: www.cobra.com

5 MR F75 EU SP 5/04