



AIS MAN OVERBOARD BEACON M0520

The GME M0520 is a CE-approved AIS Man Overboard Beacon.

In the event of a man overboard situation, the beacon can be activated either manually or automatically via the built-in water sensor, to transmit AIS alert messages, GPS position information, and a unique beacon ID. The beacon's high-performance GPS receiver enables the beacon to quickly and accurately obtain GPS coordinates.

The M0520 MOB beacon has been developed with state-of-the-art AIS technology to ensure years of reliable performance.

The beacon is designed to be rugged, whilst still being compact and lightweight for easy installation and carriage in a lifejacket.

Features

Integrated 72ch GPS Receiver

Automatic & Manual Activation

Compact, Lightweight Design

High Intensity LEDs

48 Hours Operating Time

5 Year Battery Life

IP68 Ingress Protection



2 YEAR
WARRANTY



Specifications

GENERAL		
Applicable Standards:	IEC 60945 (2002)	EN 303098 V2.1.1
	IEC 61108-1 (2003-07)	IEN 50385: 2002
	EN 50383: 2010	EN 62311: 2008
	EN 62368-1: 2014 + A11: 2017	
GENERAL		
Activation Method	Manual or Automatic via Water Sensor	
LED Indication	Battery (green/red)	
	GPS Positioning (green/red)	
VHF PERFORMANCE		
Frequency	AIS 1, 161.975MHz	
	AIS 2, 162.025 MHz	
Data Rate	9,600bps	
Tx Power	2W (1W EIRP)	
Bandwidth	25 KHz	
Modulation	GMSK	
Range	Approximately 4nm	
	> 5m Above Sea Level	
AIS Message Type	Message 1	
	(UID, GPS Position, SOG, COG)	
	Message 14	
	(MOB ACTIVE or MOB TEST)	
GPS RECEIVER		
Receiving Channels	72	
Frequency	L1, 1575.42 MHz	
Tracking Sensitivity	(-)163 dBm	
Reacquisition	(-)159 dBm	
Position Update	Every Minute	
Position Accuracy	< 2.0 m SBAS	
	< 2.5 m Autonomous	

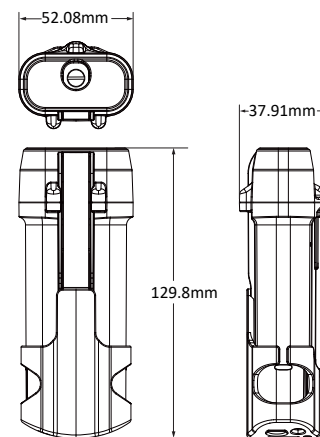
BATTERY	
Type	Primary Lithium (not rechargeable)
Operating Time	36 Hours at -10°C, Typical
Storage (battery life)	5 Years
	Replacement due after emergency use
ENVIRONMENTAL	
Operating Temperature	-20°C~55°C
Storage Temperature	-30°C~70°C
Ingress Protection	IP68
Immersion depth	50m
Compass Safe Distance	0.8m
PHYSICAL	
Size	129x52x40mm (L*W*D)
Weight	160 g (main unit only)

Note: Specifications are subject to change without prior notice.

IN THE BOX

- MO520
- Carry Case
- Quick Start Guide
- Oral Clip
- Test Tab

DIMENSIONS



www.gme.net.au

GME Pty Ltd.

Specifications are subject to change without notice, they are issued as a guide only and shall not form part of any contract without the express written authorisation of GME.