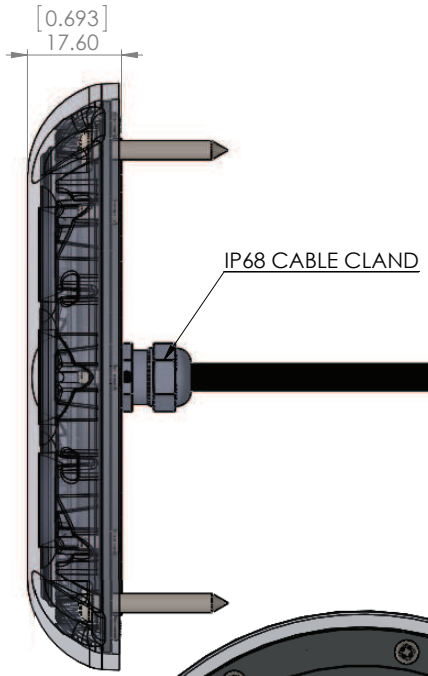
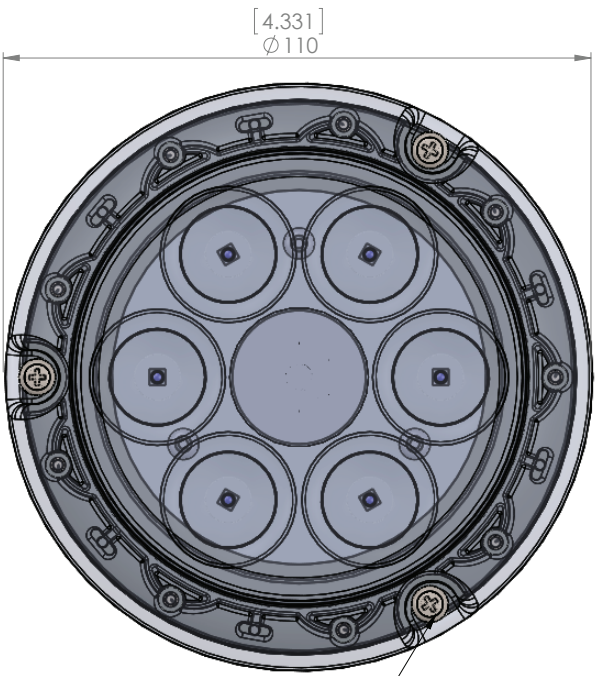


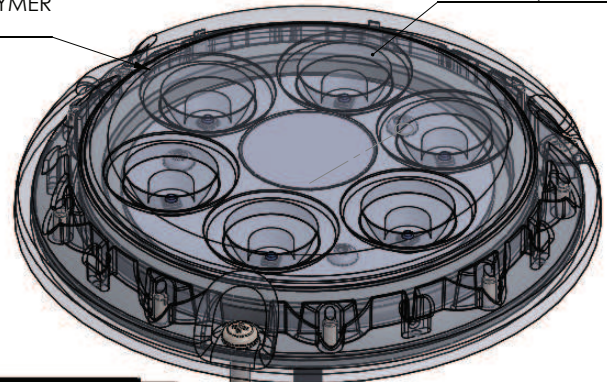
A B C D E F G H I J K

1
2
3
4
5
6
7

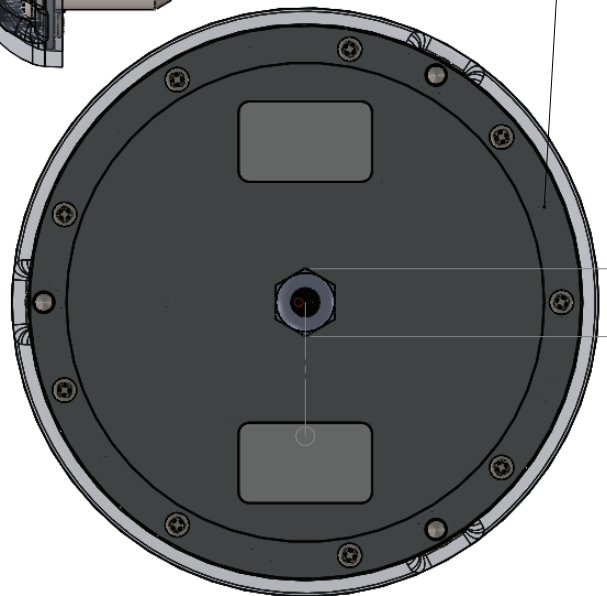
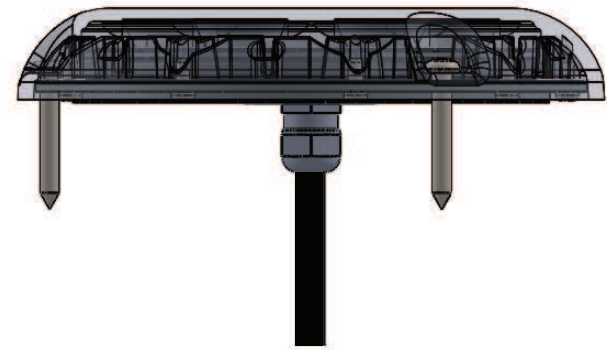
1
2
3
4
5
6
7



LENS: 3mm HIGH IMPACT POLYMER WITH ANTI STICK COATING
60° BEAM,ANGLE



MOUNTING HOLES 98mm PCD
MOUNTING SCREWS No. 6x25mm



SEALANT TRACK

[0.500] Ø13 MINIMUM HOLE DIAMETER



THIRD ANGLE PROJECTION Sheet. 2 of 3 Scale. 1:1 A3

Bluefin LED
Underwater Lighting

ALL DIMENSIONS ARE IN MILLIMETERS
TOLERANCES ON CASTINGS, UNMACHINED PARTS AND FABRICATIONS, +/- 0.8
TOLERANCES ON MACHINED DIMENSIONS
WHOLE UNITS +/- 0.25
ONE DEC. PLACE +/- 0.1
TWO DEC. PLACE +/- 0.05
ANGLES +/- 0.5 DEG.
ALL UNSPECIFIED CHAMFERS 1 x 45
BREAK ALL SHARP EDGES 0.1 TO 0.5

Iss	Rev	Status	Date	Change	Drawn	Chk'd	Appv'd
-	-	See Sheet1	-	-	-	-	-

Notes.
LUMENS: 2100, WATTAGE: 36, No. LEDs: 6
1 @ 12V: 2.2, 1 @ 24V: N/A
BEAM ANGLE: 60 Deg FWHM
LIGHT Dia: 110mm, HEAD HEIGHT: 17.6mm
OVERALL LENGTH: 30mm
MOUNT HOLE PCD: 98mm
HULL CUTOUT: 13mm, APERTURE 70mm
WEIGHT: 500gm
PPN.

Description.			
PIRANHA SM6			
Material.			
Finish.			
DWG No.	Iss.	Rev.	Status.
GAA-0101 Iss F00B	F00	B	RELEASED

© 2014 COASTLINE LED THIS DOCUMENT MUST NOT BE REPRODUCED IN WHOLE OR IN PART AND MUST NOT BE USED OR DISCLOSED WITHOUT THE WRITTEN AUTHORISATION OF COASTLINE LED. NO DEVIATION FROM THIS DRAWING IS PERMISSABLE WITHOUT WRITTEN AUTHORISATION FROM COASTLINE LED.