

MANTA RAY MR20 | THRU HULL

Signature
 SERIES



MANTA RAY MR20 offers formidable performance with the added security of a thru-hull stem fitting.

Machined from Billet AB2 Marine grade Bronze.

Suitable for Transom mounting on all hull types.

Built in driver technology with active thermal rollback.

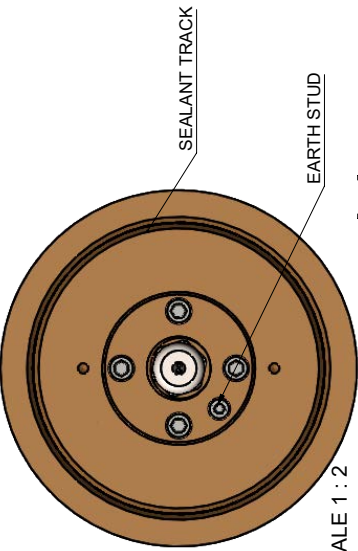
12V version also available with 7000 fixture lumens (price on application).

- RINA Type approval
- 2-Year Warranty

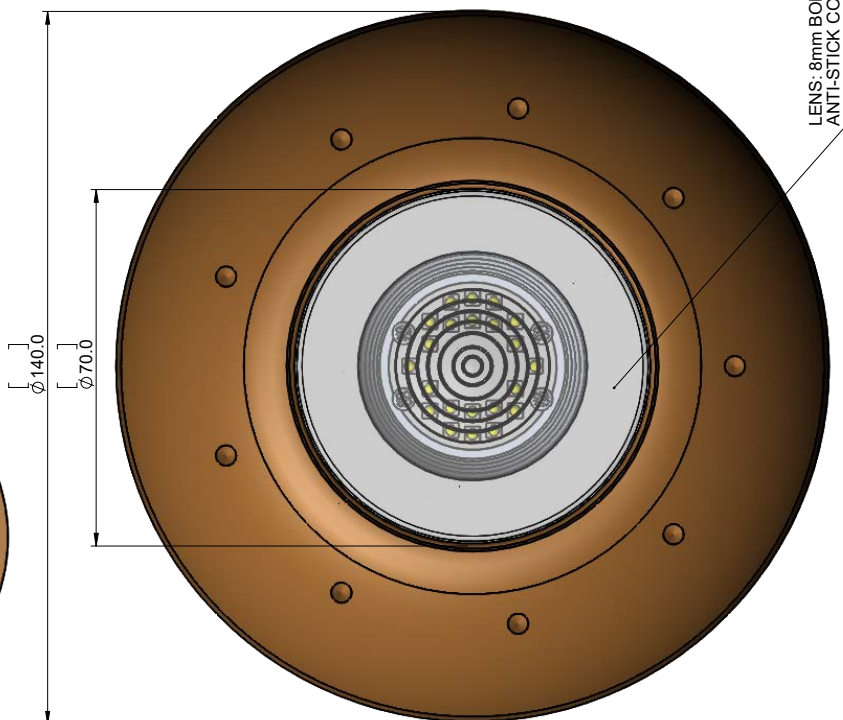
SPECIFICATION	MANTA RAY MR20 SINGLE COLOUR
Mounting Type	Thru Hull
Hole cut out size	22mm
Maximum Lamp Lumens	16,000
Fixture Lumens	14,500
Max Wattage	122 Watts
Typical Life Expectancy	50,000 Hours
Voltage	24v
Power Draw	5.1 amps
Protection	Over / Under Voltage, Over Current, Reverse Polarity protection, Active thermal protection. MLST Sealing technology
Fixture Profile	32mm
Fixture Diameter	140mm
Lens Type	Optical grade 8mm Borosilicate glass with Guard X coating
Fixture Material	AB2 Bronze
Beam Angle	65 Degree FWHM
Warranty	2 year
Type Approval	RINA IEC 60529
Available Colours	Diamond White 6500k Emerald Green Cobalt Blue
Suitable Use	Below the water-line only
Spacing	1.2 - 2mtr
Driver Type	Integral
Total weight	2.7kg
Attached cable length	1.8mtr Over-moulded
Included in box	In-line fuse holder & rated fuse, Gel connector, Inline Crimps, Heat shrink, Fixing Screws, Template and installation instructions
ACCESSORIES	(OPTIONAL)
Junction Box	4 Way IP68 Wiring Junction Box
Delrin Sleeve	Isolating kit for steel, aluminium and carbon fibre hulls
220/110v Power Supply	Power supply 24v for up to 5 lights
BL-Switch	Panel mount illuminated switch & wiring loom
I.Y.S Lighting Control	Control via MFD screen or mobile device



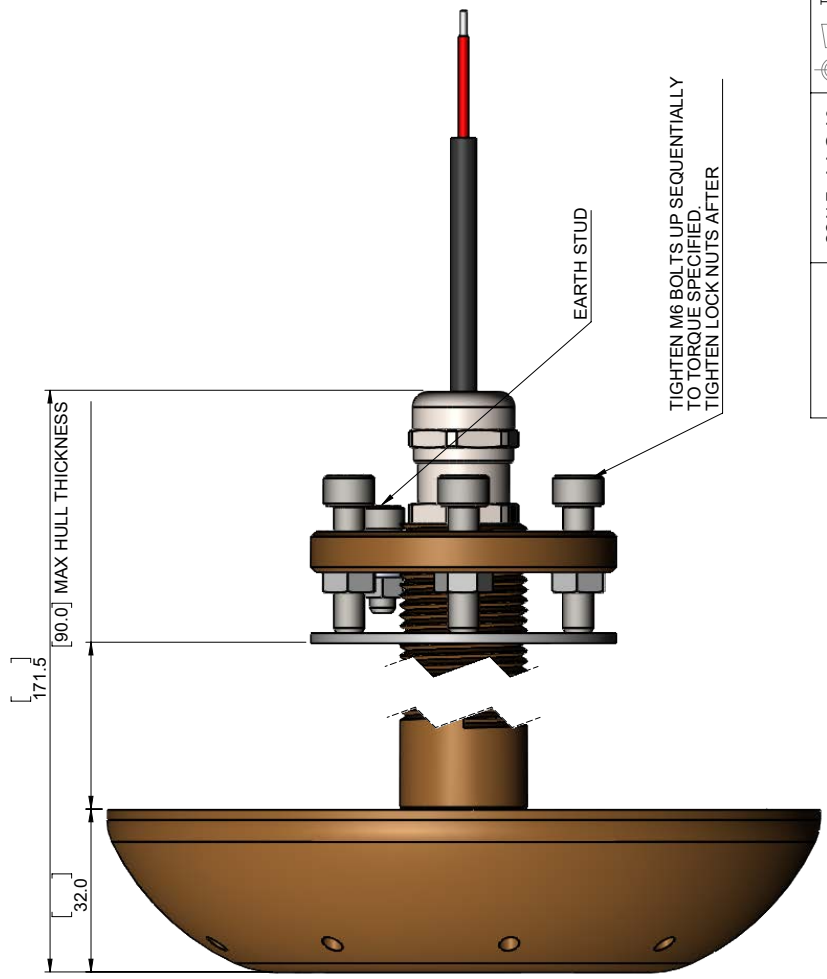
1 2 3 4 5 6 7 8



SCALE 1:2



SPECIFICATIONS	
LUMENS	MANTA RAY M20 14500
WATTAGE (MAX)	MANTA RAY M48 CC 12000
No. OF LEDs	155
I @ 12V	48
I @ 24V	N/A
BEAM ANGLE	5.1
65 DEG FWHM	6.5
LIGHT DIA	140mm (5.5")
LIGHT LENGTH	208.5mm (8.21")
LIGHT HEAD HEIGHT	32mm (1.26")
MOUNTING HOLES PCD	N/A
HULL CUTOUT DIA	30mm (1.18")
LIGHT APERTURE	70mm (2.76")
WEIGHT	2.7kg
LENS	8mm BOROSILICATE WITH ANTI-STICK COATING
	8mm BOROSILICATE WITH ANTI-STICK COATING



SCALE: 1:1 @ A3

THIRD ANGLE PROJECTION

DESCRIPTION: MANTA RAY MR20 / MR48CC THRU HULL

MATERIAL: MARINE AB2 BRONZE & GLASS LENS

FINISH: SEE PART DRAWINGS

DRAWING No: **GAA-0141 Iss B00C**

ISSUE/ REV: **B00 C** STATUS:

Bluefin LED
Underwater Lighting

THIS DRAWING IS THE PROPERTY OF BLUEFIN LED. IT IS NOT TO BE REPRODUCED, COPIED, OR TRANSMITTED IN ANY FORM OR BY ANY MEANS, ELECTRONIC OR MECHANICAL, INCLUDING PHOTOCOPYING, RECORDING, OR BY ANY INFORMATION STORAGE AND RETRIEVAL SYSTEM. PART AND MAY NOT BE USED OR DISCLOSED WITHOUT THE WRITTEN AUTHORIZATION OF BLUEFIN LED. NO DEVIATION FROM THIS DRAWING IS PERMISSIBLE WITHOUT WRITTEN AUTHORIZATION FROM BLUEFIN LED.