

MAKO M12 | THRU-HULL INTERCHANGEABLE

Signature
 SERIES



The ultra compact design of the MAKO M12 Interchangeable Flush Mount offers unrivalled performance producing 6300 Fixture Lumens with almost unlimited mounting options thanks to the low profile bezel and short body design.

Thru Hull mounting provides a safe and secure fixing with the added benefit of a removable LED cartridge that can be serviced or upgraded from inside the hull eliminating the need to haul the boat.

Simple installation thanks to our inbuilt driver technology, just two wires to connect saving time and money in labour fees, reverse polarity protection with active thermal trip.

Suitable for transom, side and under hull mounting on all types of hull.

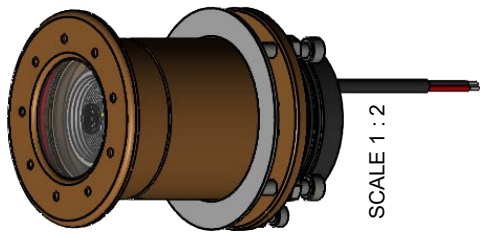
- RINA Type approval
- 2-Year Warranty

SPECIFICATION	MAKO M12 SINGLE COLOUR
Mounting Type	Thru-Hull Interchangeable
Hole cut out size	63mm
Maximum Lamp Lumens	9000
Fixture Lumens	6300
Max Wattage	70 watts
Typical Life Expectancy	50,000 hours
Voltage	12 or 24v
Power Draw	5.1 Amps @ 12v / 2.6 Amps @ 24v
Protection	Over / Under Voltage, Over Current, Reverse Polarity protection, Thermal protection. MLST Sealing technology
Fixture Profile	4mm
Fixture Diameter	85mm
Lens Type	Optical grade 8mm Borosilicate glass with Guard X coating
Fixture Material	AB2 Bronze with aluminium light engine cartridge
Beam Angle	60 Degree
Warranty	2 year
Type Approval	RINA IEC 60529
Available Colours	Diamond White 6500k Emerald Green Cobalt Blue
Suitable Use	Below the water-line only
Spacing	1.2 - 2mtr
Driver Type	Integral
Total weight	1 kg
Attached cable length	1.8mtr Over-moulded
Included in box	In-line fuse holder & rated fuse, Gel connector, Inline Crimps, Heat shrink, Fixing Screws, Template and installation instructions
ACCESSORIES	(OPTIONAL)
Junction Box	4 Way IP68 Wiring Junction Box
Delrin Sleeve	Isolating kit for steel, aluminium and carbon fibre hulls
220/110v Power Supply	Power supply 24v for up to 5 lights
BL-Switch	Panel mount illuminated switch & wiring loom
I.Y.S Lighting Control	Control via MFD screen or mobile device



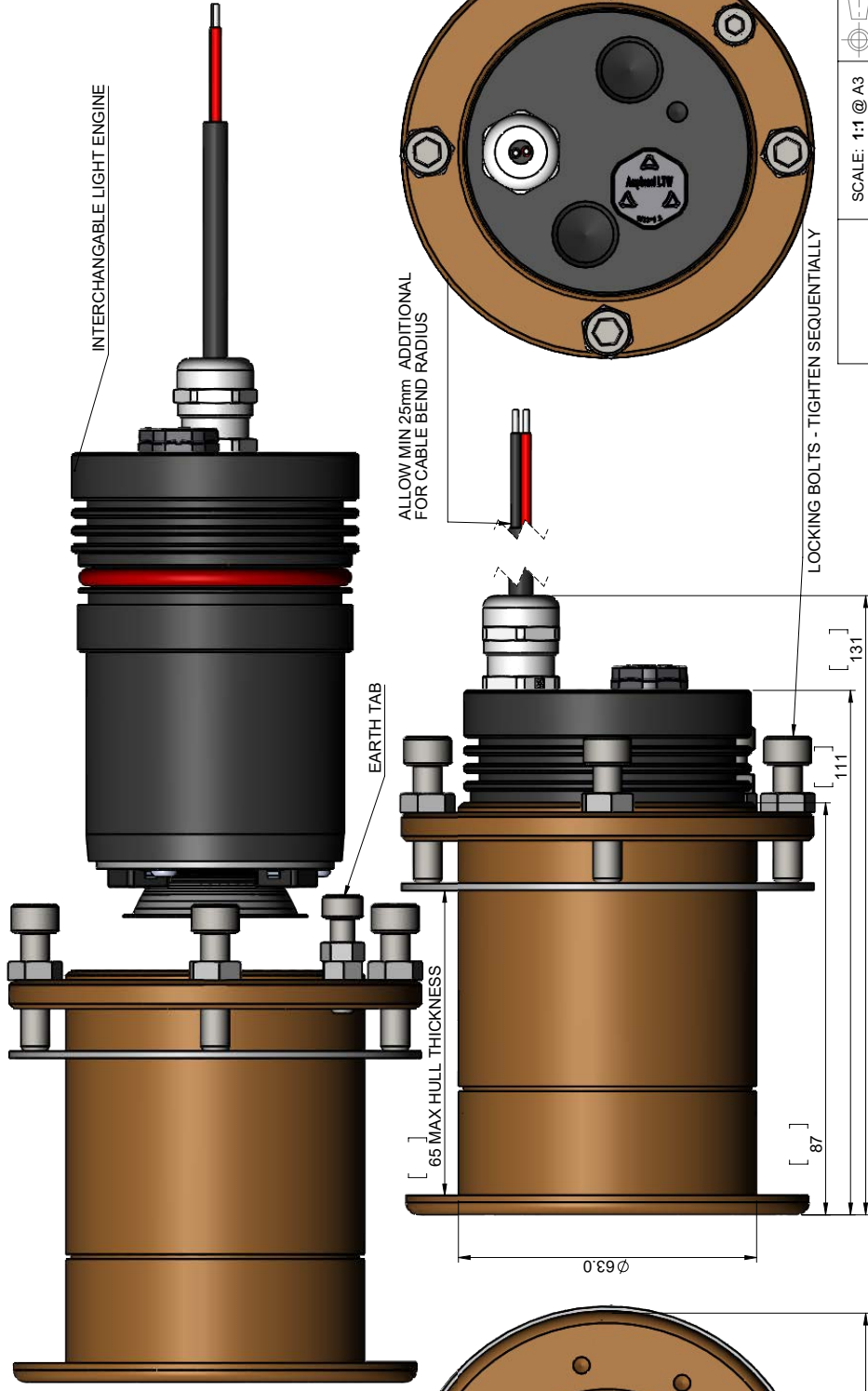
SPECIFICATION	
M12	M24CC
6300	8500
70	65
5 Amps @ 12V	5 Amps @ 12V
2.6 Amps @ 24V	2.6 Amps @ 24V
12	24
60 DEG FWHM	60 DEG FWHM
85mm 3.35"	85mm 3.35"
40mm 0.16"	40mm 0.16"
130mm 5.15"	130mm 5.15"
N/A	N/A
63mm 2.48"	63mm 2.48"
43mm 1.69"	43mm 1.69"
800 GRAMS	800 GRAMS
8mm BOROSILICATE WITH ANTI-STICK COATING	8mm BOROSILICATE WITH ANTI-STICK COATING
150mm 5.91"	150mm 5.91"
SPACE REQD FOR LIGHT ENGINE REMOVAL	

LUMENS	6300
WATTAGE	70
CURRENT	5 Amps @ 12V 2.6 Amps @ 24V
No. LEDs	12
BEAM ANGLE	60 DEG FWHM
LIGHT HEAD HEIGHT	85mm 3.35"
LIGHT OVERALL LENGTH INC CABLE GLAND	40mm 0.16"
MOUNTING HOLE PCD	130mm 5.15"
LIGHT APERTURE	N/A
WEIGHT	63mm 2.48" 43mm 1.69" 800 GRAMS
LENS	8mm BOROSILICATE WITH ANTI-STICK COATING
SPACE REQD FOR LIGHT ENGINE REMOVAL	



SCALE 1 : 2

LENS: 8mm BOROSILICATE WITH ANTI-STICK COATING



SCALE: 1:1 @ A3

THIRD ANGLE PROJECTION

DESCRIPTION: MAKO M12 / M24CC / M24HI THRU HULL

MATERIAL: MARINE AB2 BRONZE & GLASS LENS, ALUMINIUM INSERT

FINISH: SEE PART DRAWINGS

DRAWING NO: GAB-0117 Iss A00C

ISSUE/ REV: STATUS:

A00 C



THIS DRAWING IS THE PROPERTY OF BLUEFIN LED LIGHTING. IT IS NOT TO BE REPRODUCED, COPIED, EITHER WHOLLY OR IN PART AND MUST NOT BE USED OR DISCLOSED WITHOUT THE WRITTEN AUTHORIZATION OF BLUEFIN LED. NO DEVIATION FROM THIS DRAWING IS PERMISSIBLE WITHOUT WRITTEN AUTHORIZATION FROM BLUEFIN LED.