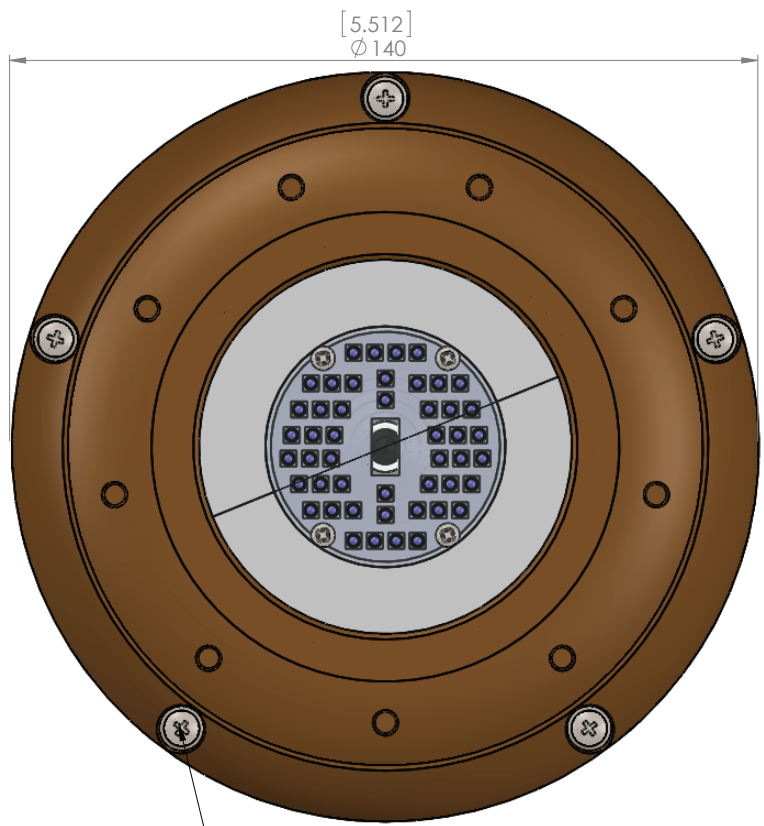
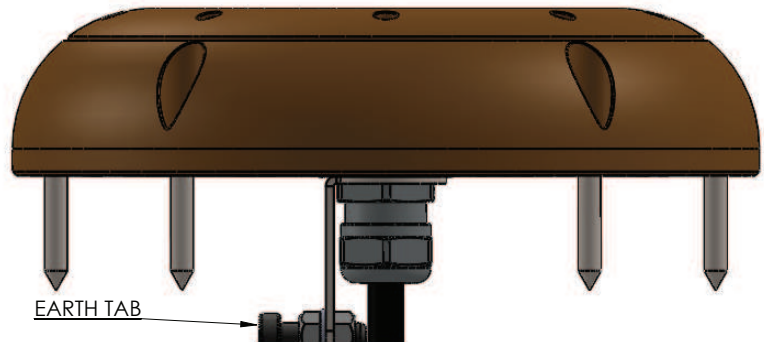


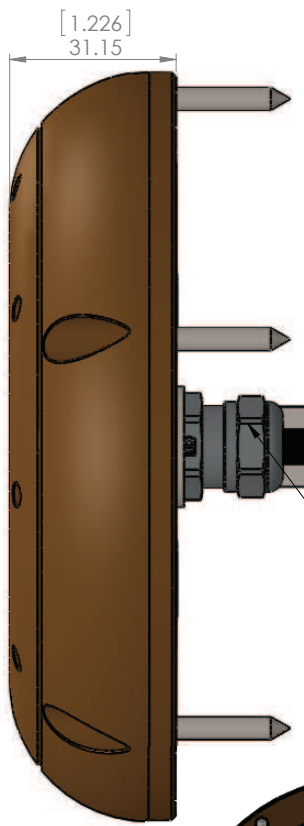
A B C D E F G H I J K



MOUNTING HOLES 130mm PCD  
MOUNTING SCREWS No. 6x25mm



EARTH TAB



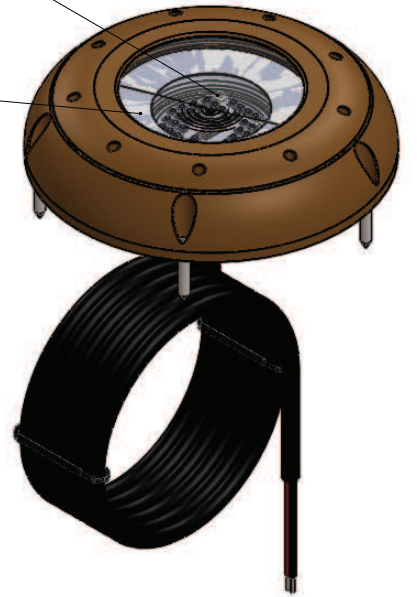
[0.787]  
20  
MINIMUM  
HOLE DIAMETER

SEALANT TRACK

SPECIFICATIONS

HAMMERHEAD H48 COLOUR CHANGE	
LUMENS	UP TO 10000
WATTAGE	155
No. LEDs	48
I @ 12V	N/A
I @ 24V	6.5
BEAM ANGLE	60 DEG FWHM
LIGHT DIA	140mm, 5.5"
LIGHT HEAD HEIGHT	30.75mm, 1.2"
LIGHT OVERALL LENGTH	55mm, 2.16"
MOUNTING HOLES PCD	130mm, 5.12"
HULL CUTOUT DIA	25mm, 1"
LIGHT APERTURE	70mm, 2.76"
WEIGHT	2.3KG
LENS	8mm BOROSILICATE WITH ANTI-STICK COATING

EARTH TAB  
IP68 CABLE GLAND  
60° BEAM ANGLE  
LENS: 8mm BOROSILICATE WITH ANTI STICK COATING



Iss	Rev	Status	Date	Change	Drawn	Chk'd	Appv'd	Notes.
A00	A	REL	22/10/2014		DWL	DWL		

ALL DIMENSIONS ARE IN MILLIMETERS  
TOLERANCES ON CASTINGS, UNMACHINED PARTS AND FABRICATIONS, +/- 0.8  
TOLERANCES ON MACHINED DIMENSIONS  
WHOLE UNITS +/- 0.25  
ONE DEC. PLACE +/- 0.1  
TWO DEC. PLACE +/- 0.05  
ANGLES +/- 0.5 DEG.  
ALL UNSPECIFIED CHAMFERS 1 x 45  
BREAK ALL SHARP EDGES 0.1 TO 0.5

THIRD ANGLE PROJECTION	Sheet. 1 of 4	Scale. 1:1	A3
------------------------	---------------	------------	----

Description.	HAMMERHEAD H48		
Material.			
Finish.			
DWG No.	Iss.	Rev.	Status.
<b>GAA-0111 Iss A00A</b>	<b>A00</b>	<b>A</b>	<b>RELEASED</b>

© 2014 COASTLINE LED THIS DOCUMENT MUST NOT BE REPRODUCED IN WHOLE OR IN PART AND MUST NOT BE USED OR DISCLOSED WITHOUT THE WRITTEN AUTHORISATION OF COASTLINE LED. NO DEVIATION FROM THIS DRAWING IS PERMISSIBLE WITHOUT WRITTEN AUTHORISATION FROM COASTLINE LED.

PPN.