

GREAT WHITE GW20 | THRU-HULL INTERCHANGEABLE

Signature
 SERIES



GREAT WHITE GW20 Underwater LED Light produces 14,500 fixture lumens and has almost unlimited mounting options thanks to a ultra low profile bezel (4mm) and internal driver system. Thru Hull mounting offers secure fixing with the additional benefit of a removable LED cartridge to eliminate the need for hauling.

Suitable for transom and side mounting on all hull types.

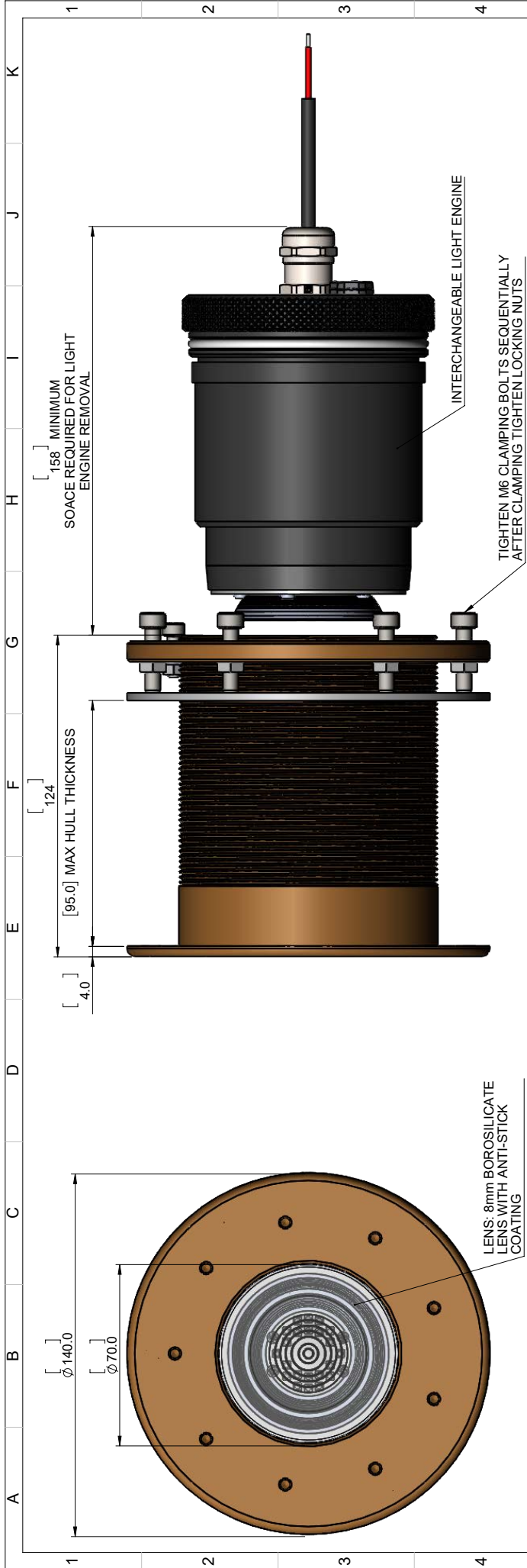
Simple installation thanks to our inbuilt driver technology, just two wires to connect. Reverse polarity protection with active thermal control.

New Hydro Block and Nano Coating Technology.

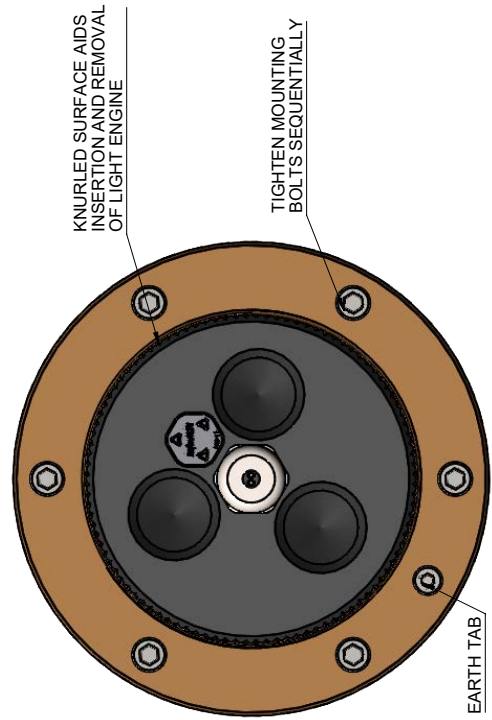
- RINA Type approval
- 2-Year Warranty

SPECIFICATION	GREAT WHITE GW20 SINGLE COLOUR
Mounting Type	Thru-Hull Interchangeable
Hole cut out size	101mm
Maximum Lamp Lumens	16,000
Fixture Lumens	14,500
Max Wattage	122 Watts
Typical Life Expectancy	50,000 hours
Voltage	24v
Power Draw	5.1 Amp
Protection	Over / Under Voltage, Over Current, Reverse Polarity protection, Thermal protection. MLST Sealing technology
Fixture Profile	4mm
Fixture Diameter	140mm
Fixture Length	170mm
Lens Type	Optical grade 8mm Borosilicate glass with Guard X coating
Fixture Material	AB2 Bronze with aluminium light engine cartridge
Beam Angle	65 Degree
Warranty	2 year
Type Approval	RINA IEC 60529
Available Colours	Diamond White 6500k Emerald Green Cobalt Blue
Suitable Use	Below the water-line only
Spacing	1.2 - 2mtr
Driver Type	Integral
Total weight	5.2 kg
Attached cable length	1.8mtr Over-moulded
Included in box	In-line fuse holder & rated fuse, Gel connector, Inline Crimps, Heat shrink, Fixing Screws, Template and installation instructions
ACCESSORIES	(OPTIONAL)
Junction Box	4 Way IP68 Wiring Junction Box
Delrin Sleeve	Isolating kit for steel, aluminium and carbon fibre hulls
220/110v Power Supply	Power supply 24v for up to 5 lights
BL-Switch	Panel mount illuminated switch & wiring loom
I.Y.S Lighting Control	Control via MFD screen or mobile device





SPECIFICATIONS			
LUMENS	GW IFM16 6600	GW IFM20 14500	GW IFM48CC 12000
WATTAGE (MAX)	90	122	155
No. OF LEDS	16	20	48
1 @ 12V	7.5	N/A	N/A
1 @ 24V	3.8	5.1	6.5
BEAM ANGLE	65 DEG FWHM	65 DEG FWHM	65 DEG FWHM
LIGHT DIA	140mm (5.5")	140mm (5.5")	140mm (5.5")
LIGHT LENGTH	164mm (6.46")	164mm (6.46")	164mm (6.46")
LIGHT HEAD HEIGHT	4mm (0.16")	4mm (0.16")	4mm (0.16")
MOUNTING HOLES	N/A	N/A	N/A
PCD	N/A	N/A	N/A
HULL CUTOUT DIA	101mm (4.00")	101mm (4.00")	101mm (4.00")
LIGHT APERTURE	70mm (2.76")	70mm (2.76")	70mm (2.76")
WEIGHT	5.2kg	5.2kg	5.2kg
LENS	8mm BOROSILICATE WITH ANTI-STICK COATING	8mm BOROSILICATE WITH ANTI-STICK COATING	8mm BOROSILICATE WITH ANTI-STICK COATING



SHEET: 1 OF 5 SCALE: 1:1.5 @ A3 THIRD ANGLE PROJECTION

DESCRIPTION: GREAT WHITE GW16 /20 /48CC THRU HULL

MATERIAL: MARINE AB2 BRONZE GLASS LENS & ALUMINIUM INSERT

FINISH: SEE PART DRAWINGS

DRAWING NO: **GAA-0105 Iss P00A** ISSUE/REV: STATUS: **P00 A**

Bluefin LED Underwater Lighting

Bluefin LED

Bluefin LED is a registered trademark of Bluefin LED. All other trademarks are the property of their respective owners. THIS DRAWING IS AUTHORIZED FOR CONSTRUCTION ONLY. NO DEVIATION FROM THIS DRAWING IS PERMISSIBLE WITHOUT WRITTEN AUTHORIZATION FROM COASTLINE LED.