

**User's Manual**

**MR1560DI**

**FULLY-MARINIZED MP3-COMPATIBLE  
IN-DASH DIGITAL MEDIA RECEIVER  
WITH BUILT-IN IPOD DOCKING STATION  
WITH USB AND SD MEMORY CARD PORTS  
AND FRONT PANEL AUX INPUT**



**MR1560DI**

**FULLY-MARINIZED MP3-COMPATIBLE  
IN-DASH DIGITAL MEDIA RECEIVER  
WITH BUILT-IN IPOD DOCKING STATION  
WITH USB AND SD MEMORY CARD PORTS  
AND FRONT PANEL AUX INPUT**

09.2009

tech support: [www.bossaudio.com/support](http://www.bossaudio.com/support)



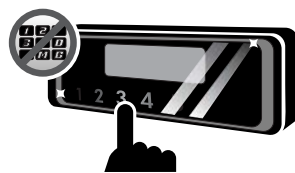
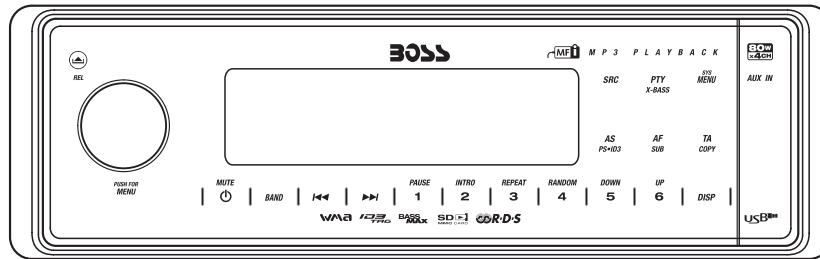
E4 10 R - 02 0896

BOSS Audio Systems • 3451 Lunar Court • Oxnard, CA 93030  
[www.bossaudio.com](http://www.bossaudio.com)

800.999.1236

**BOSS**<sup>®</sup>  
AUDIO SYSTEMS

**BOSS**<sup>®</sup>  
AUDIO SYSTEMS



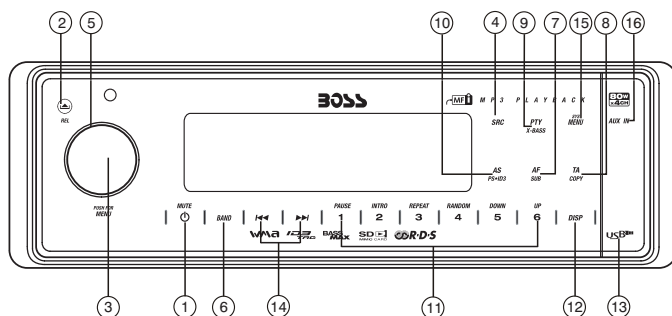
### BUTTON LESS TOUCH PAD PANEL

This radio is equipped with the most advanced "TOUCH SENSE PANEL", so that it is easy and convenient to use while driving.

**Tips** Tips; Here are some tips to show you how easy it is to use this touch sense panel:

- Using a very light touch on the radio panel will activate that feature. You will not need to "PRESS" hard on the panel to make this radio change features.
- The power button along with some of the buttons that have dual functions, will need to be "TOUCHED" from 2 to 3 seconds to make the change.
- The best area to "TOUCH" on the panel to make it activate is the illuminated or lighted area. For example, just touch for 2 to 3 seconds the illuminated power symbol and the unit will turn on or off.

# 1. BUTTONS LOCATION AND FUNCTIONS



## EN

1. Power Button / Mute Button
2. Panel Release Button
3. Audio Button/MP3 Enter Button
4. Source Button
5. Encoder Volume Knob
6. Band Button/Search Button/ File Erase Button
7. Subwoofer Button/AF Button
8. Copy Button/ TA Button
9. iX-Bass Button/PTY Button
10. Automatically Store / Preset Scan Button & ID3 /iPod Information Button
11. Preset Memory Buttons
12. Display Button
13. USB Cover/Socket
14. Tuning Up/Down & Track Up / Down Buttons
15. System Menu Button
16. Aux In Jack

## PT

1. Tecla Ligar/desligar / Tecla Mute
2. Tecla para remover o painel frontal
3. Tecla de ajuste de audio/ MP3 Enter
4. Tecla Source
5. Controle de volume
6. Tecla Banda/Seleção da banda FM1, FM2, FM3 ou MW / Apagar Arquivo
7. Tecla Copiar/Tecla AF
8. Cópia de um ficheiro / Tecla TA
9. Função iX-BASS/Tecla PTY
10. Memorização automática (As) / Preset Scan (Ps) & informação MP3-ID3/iPod
11. Teclas de memória de estações
12. Tecla Display
13. Entrada USB
14. Teclas de sintonização de estações / mudança de faixas de música
15. Tecla Menu
16. Entrada Auxiliar

## DE

1. Einschalt-Taste / Stumm-Taste
2. Entriegel-Taste Bedienteil
3. Audio-Taste/MP3 Eingabe-Taste
4. Source-Taste
5. Lautstärkenregler
6. Frequenzband-Taste/Datei/Ordner suche
7. Subwoofer-Taste/AF-Taste
8. Copy-Taste/ TA-Taste
9. iX-Bass-Taste/PTY-Taste
10. AMS Taste & ID3/iPod-Taste
11. Senderspeichertasten
12. Display-Taste
13. USB -Taste
14. Titel AUF / AB - Taste
15. Suchlauf Taste
16. Front-Audio-Anschluss

## ES

1. Encendido/Apagado / Silenciamiento rápido
2. Extracción del panel frontal
3. Tecla Audio/Bajos/MP3
4. Selección modos Radio/CD/Entrada auxiliar
5. Botón De Volumen
6. Selector Bandas/Buscar archivo/ carpeta/ Borrar archivo
7. Botón De Sub-W/Botón AF
8. Botón Copiar/ Botón TA
9. Botón iX-Bass/Botón De PTY
10. Memorización Automática de emisoras/selección de memorias & ID3 TAG/iPod muestra
11. Botones de estaciones memorizadas
12. Selección información Display
13. Entrada de USB
14. Botón de selección de emisoras & banda de música
15. Menú del Sistema
16. Entrada de auxiliar

## FR

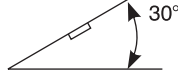
1. Bouton D'alimentation / Bouton D'assourdissement
2. Bouton De Déclenchement Du Panneau
3. Bouton De Sélection Audio / Entrée De Mp3
4. Bouton De Régime
5. Bouton De Volume
6. Bouton De Bande & Recherche Fichier/Dossier
7. Subwoofer/Bouton AF
8. Copie d'un fichier / Bouton De TA
9. Bouton De iX-Bass/Bouton Du PTY
10. Bouton De Stockage Des Stations Dans La Mémoire & Affichage D'information Sur Les Disques MP3/iPod
11. Boutons Des Stations Préréglées (m1 ~ m6)
12. Bouton D'écran
13. USB Slot
14. Bouton De Recherche Des Stations/pistes : En Avant / En Arrière
15. Bouton De Menu
16. Aux A Jack

## IT

1. Tasto Power / Tasto Mute
2. Tasto Rilascio Frontalino
3. Audio Controlla/Enter MP3
4. Tasto Source
5. Tasto Volume
6. Tasto Banda/ricerca Filecancellaz. ricerca/folder
7. Subwoofer/Bottone AF
8. Bottone Copy/ Bottone di TA
9. Bottone Bassi/Tasto PTY
10. Tasto AS/PS & ID3/iPod (informazioni)
11. Tasti Stazioni Memorie Preimpostate
12. Tasto Display
13. Entrata USB
14. Tasto sintonizzazione su/gui & traccia su/gui
15. Tasto Menu
16. Entrata Aux

## 2. INSTALLATION

- Before finally installing the unit, connect the wiring temporarily and make sure it is all connected up properly and the unit and system work properly.
- Use only the parts included with the unit to ensure proper installation. The use of unauthorized parts can cause malfunctions.
- Consult with your nearest dealer if installation requires the drilling of holes or other modifications of the vehicle.
- Install the unit where it does not get in the driver's way and cannot injure the passenger if there is a sudden stop, like an emergency stop.
- If installation angle exceeds 30° from horizontal, the unit might not give its optimum performance.



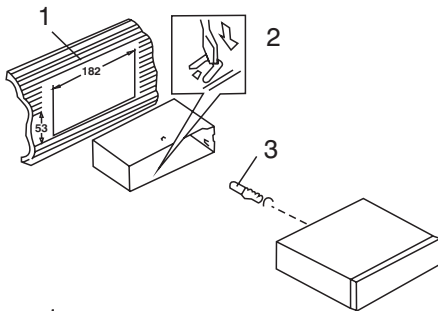
- Avoid installing the unit where it would be subject to high temperature, such as from direct sunlight, or from hot air, from heater, or where it would be subject to dust dirt or excessive vibration.
- Be sure to remove the front panel before installing the unit.

### DIN FRONT/REAR-MOUNT

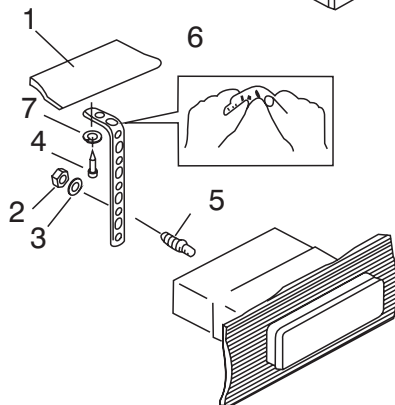
This unit can be properly installed either from "Front" (conventional DIN Front-mount) or "Rear" (DIN Rear-mount installation, utilizing threaded screw holes at the sides of the unit chassis). For details, refer to the following illustrated installation methods A and B.

#### DIN FRONT-MOUNT (Method A)

##### Installation the unit

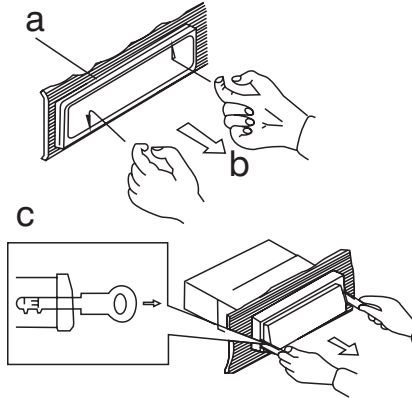


1. Dashboard
2. Holder  
After inserting the half sleeve into the dashboard, select the appropriate tab according to the thickness of the dashboard material and bend them inwards to secure the holder in place.
3. Screw



1. Dashboard
2. Nut (5mm)
3. Spring washer
4. Screw (4x12mm)
5. Screw
6. Support Strap  
Be sure to use the support strap to secure the back of the unit in place. The strap can be bent by hand to the desired angle.
7. Plain washer

### Removing the unit



- a. Frame
- b. Insert fingers into the groove in the front of frame and pull out to remove the frame. (When re-attaching the frame, point the side with a groove down wards and attach it.)
- c. Insert the levers supplied with the unit into the grooves at both sides of the unit as shown in figure until they click. Pulling the levers makes it possible to remove the unit from the dashboard.

### Trim Plate Installation:

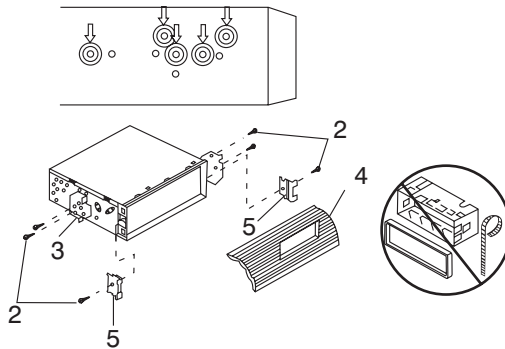
Push the trim plate against the chassis until it is fitted.

**You must do this before you install the front panel, otherwise it can't be attached.**

### DIN REAR-MOUNT (METHOD B)

Installation using the screw holes on the sides of the unit.

Fastening the unit to the factory radio mounting bracket.



1. Select a position where the screw holes of the bracket and the screw holes of the main unit become aligned (are fitted) and tighten the screws at 2 places on each side.
2. Screw
3. Factory radio mounting bracket.
4. Dashboard or Console
5. Hook (Remove this part)

Note: the mounting box, outer trim ring, and half-sleeve are not used for method B installation.

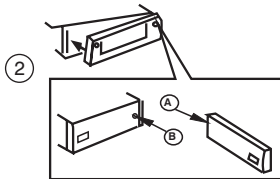
### 3. DETACHABLE CONTROL PANEL (D.C.P)

#### Removing The Detachable Control Panel (D.C.P).



1. Turn the power off
2. Press the D.C.P. release button
3. Remove the D.C.P.

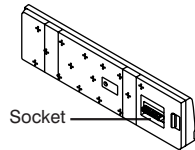
#### Attaching the DCP



1. Attach the panel at the right side first, with point B on the main unit touching point A on the D.C.P. (As shown on the diagram).
2. Then press the left side of D.C.P. onto the main unit until a "click" sound is heard.

#### CAUTION

- DO NOT insert the D.C.P from the left side. Doing so may damage it.
- The D.C.P can easily be damaged by shocks. After removing it, place it in a protective case and be careful not to drop it or subject it to strong shocks.
- When the release button is pressed and the D.C.P is unlocked, the car's vibrations may cause it to fall. To prevent damage to the D.C.P. always store it in a protective case after detaching it.
- The rear connector that connects the main unit and the D.C.P is an extremely important part. Be careful not to damage it by pressing on it with fingernails, pens, screwdrivers, etc.

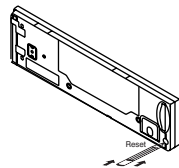


#### Note:

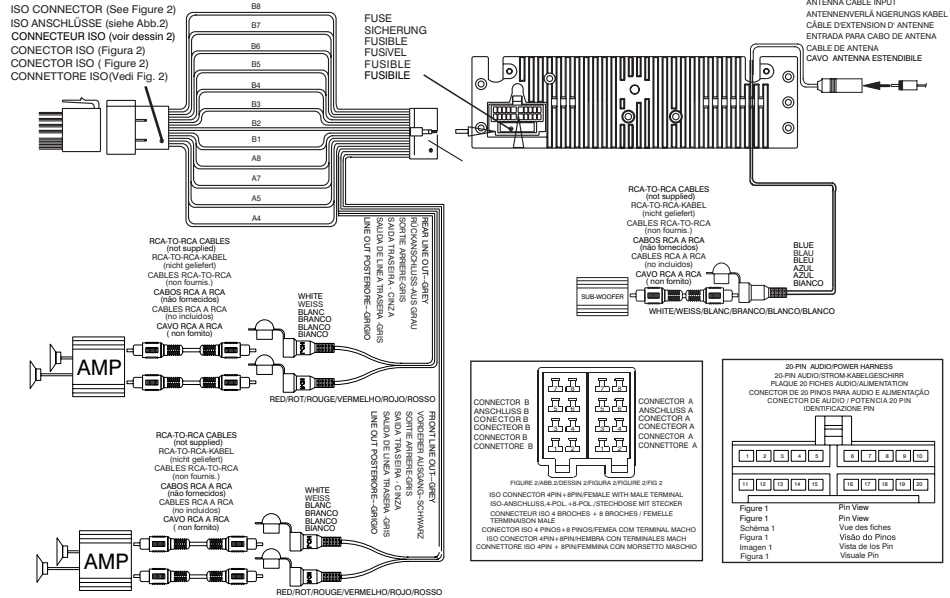
If the D.C.P is dirty, wipe off the dirt with soft, dry cloth only. And use a cotton swab soaked in isopropyl alcohol to clean the socket on the back of the D.C.P.

#### RESETTING THE UNIT:

- After releasing the front panel, use a pencil or any non-metalic object to press & hold the reset button for five seconds to reset the unit.



# 4. WIRING DIAGRAM (20 PIN + ISO PLUG)



**EN CONNECTOR WIRING CHART**

PIN	WIRE COLOR	FUNCTION/LABEL
A4	YELLOW	CONSTANT 12 VOLTS
A5	BLUE	POWER ANTENNA/MOTOR TURN ON
A7	RED	MOTORSERVE
A8	BLACK	GROUND
B1	VIOLET	RIGHT REAR SPEAKER (+)
B2	VIOLET/BLACK	RIGHT REAR SPEAKER (-)
B3	GREY	RIGHT FRONT SPEAKER (+)
B4	GREY/BLACK	RIGHT FRONT SPEAKER (-)
B5	WIRE	LEFT REAR SPEAKER (+)
B6	WHITE/BLACK	LEFT REAR SPEAKER (-)
B7	GREEN	LEFT FRONT SPEAKER (+)
B8	GREEN/BLACK	LEFT FRONT SPEAKER (-)
1	GREY/BLACK	RIGHT FRONT SPEAKER (+)
2	GREY	RIGHT FRONT SPEAKER (-)
3	VIOLET	RIGHT REAR SPEAKER (+)
4	VIOLET/BLACK	RIGHT REAR SPEAKER (-)
5		
6	GREEN	LEFT REAR SPEAKER (+)
7	GREEN/BLACK	LEFT REAR SPEAKER (-)
8	RED	IGNITION (ACC)
9	BLACK	REAR PRE-AMP LINE OUT COMMON
10	RED	FRONT PRE-AMP LINE OUT
11	WHITE	LEFT FRONT SPEAKER (+)
12	WHITE/BLACK	LEFT FRONT SPEAKER (-)
13		
14	BLUE	POWER ANTENNA/MOTOR TURN ON
15	YELLOW	CONSTANT 12 VOLTS
16	BLACK	CHASSIS GROUND
17	WHITE	LEFT FRONT PRE-AMP LINE OUT
18	RED	RIGHT FRONT PRE-AMP LINE OUT
19	BLACK	FRONT PRE-AMP LINE OUT COMMON
20	WHITE	LEFT REAR PRE-AMP LINE OUT

**DE SCHALTPLAN ANSCHLUSS**

PIN	KABELFARBE	FUNKTION / ETIKETT
A4	GELB	BATTERIE (+)
A5	BLAU	MOTORSERVE
A7	ROT	ZÜNDUNG (ACC)
A8	SCHWARZ	ERDUNG
B1	VIOLETT	RECHTER REARLAUTSPRECHER (+)
B2	VIOLETT/SCHWARZ	RECHTER REARLAUTSPRECHER (-)
B3	GRAU	RECHTER FRONTLAUTSPRECHER (+)
B4	GRAU/SCHWARZ	RECHTER FRONTLAUTSPRECHER (-)
B5	GRÜN	LINKER FRONTLAUTSPRECHER (+)
B6	WEISS/SCHWARZ	LINKER FRONTLAUTSPRECHER (-)
B7	GRÜN	LINKER REARLAUTSPRECHER (+)
B8	GRÜN/SCHWARZ	LINKER REARLAUTSPRECHER (-)
1	GRAU/SCHWARZ	RECHTER VORDERLAUTSPRECHER (+)
2	GRAU	RECHTER VORDERLAUTSPRECHER (-)
3	VIOLETT	RECHTER RÜCKLAUTSPRECHER (+)
4	VIOLETT/SCHWARZ	RECHTER RÜCKLAUTSPRECHER (-)
5		
6	GRÜN	LINKER RÜCKLAUTSPRECHER (+)
7	GRÜN/SCHWARZ	LINKER RÜCKLAUTSPRECHER (-)
8	ROT	ZÜNDUNG (ACC)
9	SCHWARZ	RÜCK-RE-AMP ANSCHLUSS - AUS
10	ROT	RECHTER RECHT-RE-AMP ANSCHLUSS AUS
11	WEISS	LINKER VORDERLAUTSPRECHER (+)
12	WEISS/SCHWARZ	LINKER VORDERLAUTSPRECHER (-)
13		
14	BLAU	MOTORSIERTE ANTENNE
15	GELB	BATTERIE (+)
16	SCHWARZ	CHASSISERDUNG
17	WEISS	HINTERER VORDERSTÄRKERANLASSUNG
18	ROT	RECHTER VORDERSTÄRKERANLASSUNG
19	SCHWARZ	VORDERSTÄRKERANLASSUNG/NORMAL
20	WEISS	LINKER RÜCK-RE-AMP ANSCHLUSS

**FR PLAN DE CABLAGE**

FICHE	COULEUR DU CÂBLE	FONCTION / MARQUE
A4	JALUNE	BATTERIE (+)
A5	BLEU	PUISSANCE ANTENNE
A7	ROUGE	MOTORSERVE
A8	NOIR	TERRE
B1	VIOLET	HAUT PARLEUR COTE DROIT (+)
B2	VIOLET/NOIR	HAUT PARLEUR COTE DROIT (-)
B3	GRIS	HAUT PARLEUR AVANT DROIT (+)
B4	GRIS/NOIR	HAUT PARLEUR AVANT DROIT (-)
B5	BLANC	HAUT PARLEUR AVANT GAUCHE (+)
B6	BLANC/NOIR	HAUT PARLEUR AVANT GAUCHE (-)
B7	VERT	HAUT PARLEUR COTE GAUCHE (+)
B8	VERT/NOIR	HAUT PARLEUR COTE GAUCHE (-)
1	GRIS/NOIR	ENCENTE AVANT DROIT (+)
2	GRIS	ENCENTE AVANT DROIT (-)
3	VIOLET	ENCENTE ARRIERE DROIT (+)
4	VIOLET/NOIR	ENCENTE ARRIERE DROIT (-)
5		
6	VERT	ENCENTE ARRIERE GAUCHE (+)
7	VERT/NOIR	ENCENTE ARRIERE GAUCHE (-)
8	ROUGE	ALLUMAGE (ACC)
9	NOIR	SORTIE COMMUNE ARRIERE PRE-AMP
10	ROUGE	SORTIE PRE-AMP ARRIERE DROITE
11	BLANC	ENCENTE AVANT GAUCHE (+)
12	NOIR/BLANC	ENCENTE AVANT GAUCHE (-)
13		
14	BLEU	PUISSANCE ANTENNE
15	JALUNE	BATTERIE (+)
16	NOIR	CHASSIS TERRE
17	BLANC	SORTIE AVANT GAUCHE PRE-AMP
18	ROUGE	SORTIE AVANT DROITE PRE-AMP
19	NOIR	SORTIE AVANT COMMUNE PRE-AMP
20	BLANC	SORTIE PRE-AMP ARRIERE GAUCHE

**PT TABELA DE CONEXÕES**

PIN	COR DO FIO	FUNÇÃO/ETIQUETA
A4	AMARELO	BATERIA (+)
A5	AZUL	ANTENA ELÉTRICA
A7	VERMELHO	IGNIÇÃO
A8	PRETO	MASSA (PO TERRA)
B1	VIOLETA	ALTO-FALANTE TRASEIRO DIREITO (+)
B2	VIOLETA/PRETO	ALTO-FALANTE TRASEIRO DIREITO (-)
B3	CAZUA	ALTO-FALANTE DIANTEIRO DIREITO (+)
B4	CINZA/PRETO	ALTO-FALANTE DIANTEIRO DIREITO (-)
B5	BRANCO	ALTO-FALANTE DIANTEIRO ESQUERDO (+)
B6	BRANCO/PRETO	ALTO-FALANTE DIANTEIRO ESQUERDO (-)
B7	VERDE	ALTO-FALANTE TRASEIRO ESQUERDO (+)
B8	VERDE/PRETO	ALTO-FALANTE TRASEIRO ESQUERDO (-)
1	CINZA/PRETO	ALTO-FALANTE DIANTEIRO DIREITO (+)
2	CAZUA	ALTO-FALANTE DIANTEIRO DIREITO (-)
3	VIOLETA	ALTO-FALANTE TRASEIRO DIREITO (+)
4	VIOLETA/PRETO	ALTO-FALANTE TRASEIRO DIREITO (-)
5		
6	VERDE	ALTO-FALANTE TRASEIRO ESQUERDO (+)
7	VERDE/PRETO	ALTO-FALANTE TRASEIRO ESQUERDO (-)
8	VERMELHO	IGNIÇÃO (ACC)
9	PRETO	SADA LÍNHA PRE-AMP TRASEIRA COMUM
10	VERMELHO	SADA LÍNHA PRE-AMP TRASEIRA DIREITA
11	BRANCO	ALTO-FALANTE DIANTEIRO ESQUERDO (+)
12	BRANCO/PRETO	ALTO-FALANTE DIANTEIRO ESQUERDO (-)
13		
14	AZUL	ANTENA ELÉTRICA
15	AMARELO	BATERIA (+)
16	PRETO	MASSA (PO TERRA)
17	BRANCO	SADA LÍNHA PRENTE ESG
18	VERMELHO	SADA LÍNHA PRENTE DIR
19	PRETO	COMUM SADA LÍNHA PRENTE
20	BRANCO	SADA LÍNHA PRE-AMP TRASEIRA ESQUERDA

**ES TABLA DE CONEXIONES EN CONECTORES**

PIN	COLOR DE CABLE	FUNCI
A4	AMARILLO	+12V PERMANENTE
A5	AZUL	SALIDA ANTENA AUTOMÁTICA
A7	ROJO	+12V CONTACTO (ACC)
A8	NEGRO	MASA
B1	VIOLETA	ALTAVOZ TRASEIRO DERECHO (+)
B2	VIOLETA/NEGRO	ALTAVOZ TRASEIRO DERECHO (-)
B3	GRIS	ALTAVOZ FRONTAL DERECHO (+)
B4	GRIS/NEGRO	ALTAVOZ FRONTAL DERECHO (-)
B5	BLANCO	ALTAVOZ FRONTAL IZQUIERDO (+)
B6	BLANCO/NEGRO	ALTAVOZ FRONTAL IZQUIERDO (-)
B7	VERDE	ALTAVOZ TRASEIRO IZQUIERDO (+)
B8	VERDE/NEGRO	ALTAVOZ TRASEIRO IZQUIERDO (-)
1	GRIS/NEGRO	ALTAVOZ FRONTAL DERECHO (+)
2	GRIS	ALTAVOZ FRONTAL DERECHO (-)
3	VIOLETA	ALTAVOZ TRASEIRO DERECHO (+)
4	VIOLETA/NEGRO	ALTAVOZ TRASEIRO DERECHO (-)
5		
6	VERDE	ALTAVOZ TRASEIRO IZQUIERDO (+)
7	VERDE/NEGRO	ALTAVOZ TRASEIRO IZQUIERDO (-)
8	ROJO	ENCION (ACC)
9	NEGRO	LÍNEA DE SALIDA PRE-AMP TRASEIRA
10	ROJO	LÍNEA DE SALIDA PRE-AMP TRASEIRA DERECHA
11	BLANCO	ALTAVOZ FRONTAL IZQUIERDO (+)
12	BLANCO/NEGRO	ALTAVOZ FRONTAL IZQUIERDO (-)
13		
14	AZUL	ALIMENTACION DE ANTENA
15	AMARILLO	BATERIA (+)
16	NEGRO	CHASIS DE TIERRA
17	BLANCO	SALIDA L. PRE-AMP FRONTAL IZQUIERDO
18	ROJO	SALIDA L. PRE-AMP FRONTAL DERECHA
19	NEGRO	SALIDA L. PRE-AMP FRONTAL COMUN
20	BLANCO	LÍNEA DE SALIDA PRE-AMP TRASEIRA IZQUIERDA

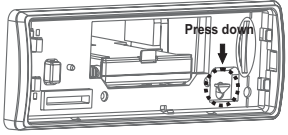
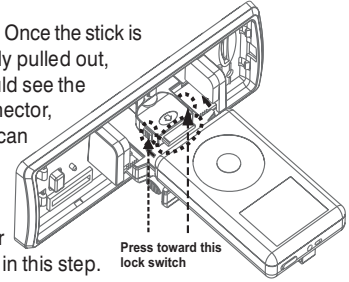
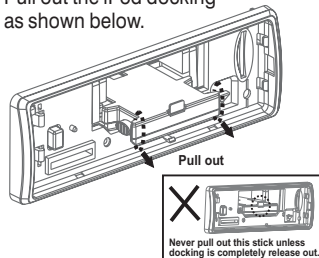
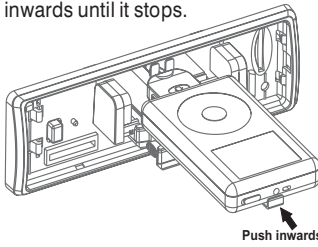
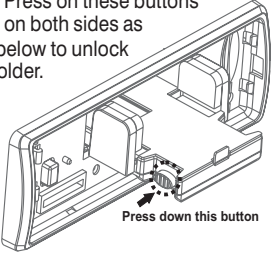
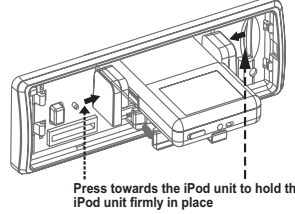
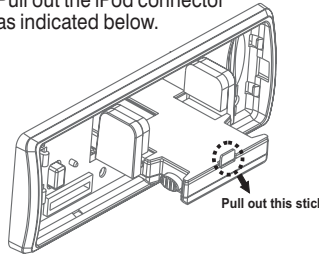
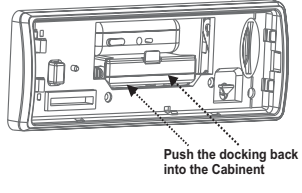
**IT SCHEMA DI COLLEGAMENTO**

PIN	COLORE CAVO	FUNZIONE
A4	GIALLO	BATTERIA (+)
A5	BLU	ANTENA/POTENZA
A7	ROSSO	ACCENSIONE (ACC)
A8	NERO	TERRA
B1	VIOLETA	CASSA DESTRA POSTERIORE (+)
B2	VIOLETANERO	CASSA DESTRA POSTERIORE (-)
B3	GRIGIO	CASSA DESTRA ANTERIORE (+)
B4	GRIGIO/NERO	CASSA DESTRA ANTERIORE (-)
B5	BIANCO	CASSA SINISTRA ANTERIORE (+)
B6	BIANCO/NERO	CASSA SINISTRA ANTERIORE (-)
B7	VERDE	CASSA SINISTRA POSTERIORE (+)
B8	VERDE/NERO	CASSA SINISTRA POSTERIORE (-)
1	GRIGIONERO	CASSA ANTERIORE DESTRA (+)
2	GRIGIO	CASSA ANTERIORE DESTRA (-)
3	VIOLETA	CASSA POSTER. DESTRA (+)
4	VIOLETANERO	CASSA POSTER. DESTRA (-)
5		
6	VERDE	CASSA POSTER. SINISTRA (+)
7	VERDE/NERO	CASSA POSTER. SINISTRA (-)
8	ROSSO	ACCENSIONE (TAKE OUT NEGRO/NE)
9	NERO	MESSA A TERRA
10	ROSSO	AMPLIFICATORE CASSA POST. DESTRA
11	BIANCO	CASSA ANTERIORE SINISTRA (+)
12	BIANCO/NERO	CASSA ANTERIORE SINISTRA (-)
13		
14	BLU	ANTENNA
15	GIALLO	BATTERIA (+)
16	NERO	MESSA A TERRA
17	BIANCO	USCITA FRONTALE SINISTRO PRE-AMP
18	ROSSO	USCITA FRONTALE DESTRO PRE-AMP
19	BLACK	USCITA FRONTALE COMUNE PRE-AMP
20	BIANCO	AMPLIFICATORE CASSA POST. SX

## 5. iPod OPERATION

### **INSTALLING iPod INTO THE BUILT-IN iPod DOCKING**

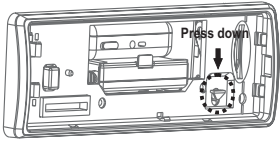
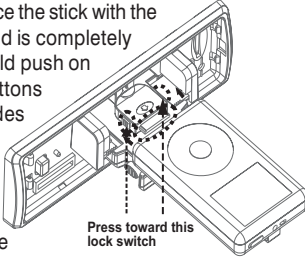
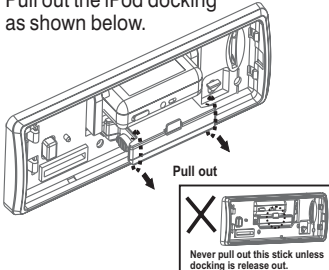
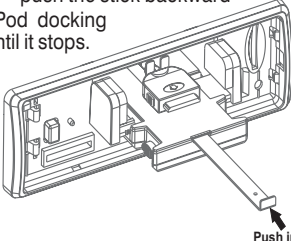
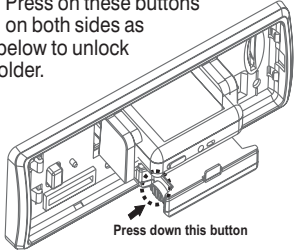
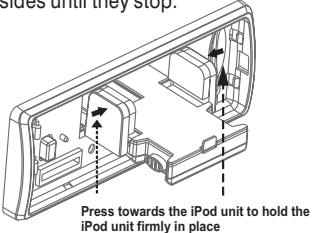
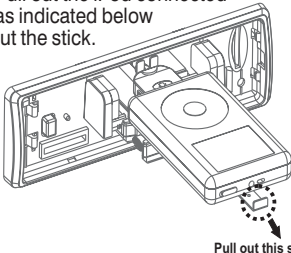
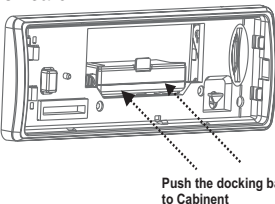
Always follow the below steps to install the iPod into the docking station. Incorrect or improper installation may cause permanent damage to the docking station or the iPod unit.

<p><b>Step 1</b> Press down the button as indicated below to unlock the iPod docking.</p> 	<p><b>Step 5</b> Once the stick is completely pulled out, user should see the iPod connector, and user can connect the iPod to the connector as shown in this step.</p> 
<p><b>Step 2</b> Pull out the iPod docking as shown below.</p> 	<p><b>Step 6</b> Push the stick &amp; the connected iPod inwards until it stops.</p> 
<p><b>Step 3</b> Press on these buttons on both sides as indicated below to unlock the iPod holder.</p> 	<p><b>Step 7</b> Press the iPod holder on both sides to hold the iPod firmly in place.</p> 
<p><b>Step 4</b> Pull out the iPod connector as indicated below.</p> 	<p><b>Step 8</b> Push the iPod docking inwards into the unit's cabinet until a click sound is heard.</p> 



## REMOVE iPod FROM THE BUILT-IN iPod DOCKING

To take out the iPod from the docking station, user can first detach the front panel, and repeat step 1 to step 8 to take out the iPod & return the iPod docking inside the unit's cabinet.

<p><b>Step 1</b> Press the button as indicated below to unlock the iPod docking.</p> 	<p><b>Step 5</b> Once the stick with the connected iPod is completely out, user should push on the locking buttons on the both sides of the iPod connector to release the iPod as indicated in the picture, and remove the iPod unit.</p> 
<p><b>Step 2</b> Pull out the iPod docking as shown below.</p> 	<p><b>Step 6</b> Once the iPod unit is remove, push the stick backward into the iPod docking station until it stops.</p> 
<p><b>Step 3</b> Press on these buttons on both sides as indicated below to unlock the iPod holder.</p> 	<p><b>Step 7</b> Push on the iPod holders on both sides until they stop.</p> 
<p><b>Step 4</b> Pull out the iPod connected as indicated below by pulling out the stick.</p> 	<p><b>Step 8</b> Push the iPod docking inwards into the unit's cabinet until a click sound is heard.</p> 

## **iPod FULL CONTROL / OPERATION**

This unit is equipped with iPod Ready function which allow end user to have direct control of the iPod on the front panel control button and display iPod song information on the unit's LCD display. Please read below for more details operation.

### **iPod Compatibility Chart**

This unit is support following iPod version

iPod 1G	Not Supported
iPod 2G	Not Supported
iPod 3G	Supported
iPod Mini	Supported
iPod 4G	Supported
iPod Photo	Supported
iPod Nano	Supported
iPod 5G(Video)	Supported
iPod Touch	Supported
iPhone	Not Supported
iPod Classic	All version


### **Audio Video File**

This unit is **NOT ABLE** to playback any VIDEO FILE OR VIDEO ALBUM which contained in the iPod Video.

### **Turning iPod Power On and Off**

The iPod power turns on automatically as soon as it is connected to the 30 Pin Connector and as long as the vehicle's ignition is turned ON. The iPod power can be turned OFF by removing the iPod from the 30 Pin Connector or if the vehicle's ignition is turned OFF. Under this condition the iPod will go into pause mode and goes into sleep mode about 2 minutes later.

**NOTE** While the iPod is connected, the power cannot be turned on or off from the iPod itself.

**Tips** “  ” to disconnect will be shown in the iPod's display while it is connected to the unit .

### **iPod Battery Charging**

While connected to the unit, the iPod will automatically start re-charging as long as the vehicle's ignition key is turn to ACC or ON.

### **Switch to iPod Mode**

When the Head unit is power on and iPod is connected to the 30 pin connector, press the mode button to change to iPod mode and the unit will display **iPod** for a while then starts **Reading** the music files contained in the iPod and the playback will automatically start. Press Mode button repeatedly to change to other modes or switch back to iPod mode.

### **iPod information Display on the Head Unit LCD**

This unit can display the Song, Artist, Album name and Elapsed time on the LCD display, these information can be displayed by pressing the AS/PS button repeatedly while a iPod Song file is playing.

### **Searching a Desire Song**

Under iPod playback mode, press BAND to enter into the iPod Searching Mode. Pressing BAND button repeatedly to accesses the different searching methods as below :

- 1) **Playlist**
- 2) **Artist**
- 3) **Album**
- 4) **Song**
- 5) **Genre**

Once selected the desire searching method, within 10 second press the AUDIO button as confirm & access into the searching mode, then turn the rotate encode volume knob to navigate thru the Album or Artist or Song contained in the iPod. Press the AUDIO button to confirm & play the selected song. During the searching mode, press AS/PS as quick move back to the last upper level of Album, Playlist, Genre, etc.

#### **Song Select**

Press the File UP (>>) or File DOWN (<<) button for less than one second to skip to the next or previous song. Press and Hold File UP (>>) or File DOWN (<<) button for more than 3 seconds to fast forward or fast reverse of the current song.

#### **Song Repeat / Repeat All play :**

Pressing the M3 button for more than 3 seconds during iPod playback mode for "REPEAT ALL". All songs of the current album will be kept on repeat playing until the "Repeat All" function is disabled. To disable current Album "REPEAT ALL" function, long press M3 button more than 3 seconds.

Press the M3 button for less than 3 seconds to "REPEAT PLAY" the current song. And keep on repeat playing the current song until the "REPEAT PLAY" function is disabled. To disable current song "REPEAT PLAY", press the M3 button less than 3 seconds.

#### **Shuffle play: / Shuffle Album**

Pressing the M4 button for more than 3 seconds during iPod playback mode to activate the "SHUFFLE ALBUM" function. This function allows RANDOM playback of all the albums contained on the iPod. To disable "SHUFFLE ALBUM" function, long press M4 button for more than 3 seconds.

Press the M4 button for less than 3 seconds during iPod playback mode to activate "SHUFFLE PLAY". This function allows the playback of all the songs in the iPod in random sequence. To disable "SHUFFLE PLAY", short press M4 button again for less than 3 seconds.

## 6. BASIC OPERATIONS

### 2) PANEL RELEASE BUTTON (REL)

Press this button to remove the control panel.

### 1) POWER ON/OFF BUTTON (⏻)

Press POWER button or any other button on the front of the radio to turn the unit on. Press POWER button again to turn the unit off.

### 1) MUTE BUTTON (MUTE)

Press the mute button momentarily to mute the audio volume, and "Mute" will flash in the display. Press the mute button again to restore volume to the previous setting.

### 7) SUBWOOFER (SUB)

Pressing the SUB button to activate the Subwoofer function On, and "Subwoofer" will appear on the LCD display for 3 seconds. Press the SUB button again to turn off the Subwoofer function.

### 9) iX-BASS BUTTON (iX-Bass)

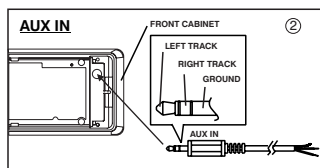
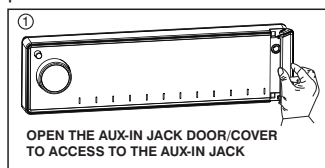
Pressing the iX-Bass button to turn on the iX-Bass function, and "iX-Bass" will appear in the LCD display for 3 seconds. Press the iX-Bass button again to turn off the iX-Bass function.

### 4) SOURCE BUTTON (SRC)

Press SRC button to select a different source of operation as indicated on the display panel. Available modes include Tuner, USB Host, SD/MMC, iPod and Aux - In.

### 16) FRONT PANEL AUX-IN JACK

Connect the external signal to AUX in jack located at the front of the panel, then press SRC button to select Aux mode. Press SRC Button again to cancel Aux Mode and return to previous mode.



### 5) ENCODER VOLUME BUTTON

To increase the volume, rotate the volume control clockwise. To decrease the volume, rotate the volume control counter clockwise. When volume is adjusted, the volume level will be shown on the display panel as a number ranging from 0 (lowest) to 46 (highest).

## 7. MENU OPERATION

### 15) MENU FUNCTION LIST (SYS MENU)

Press SYS MENU to access the menu. **MENU** will appear in the display momentarily. Navigate the menu by pressing SYS MENU momentarily to move forward to the next option. The menu can also be navigated by using the Tuning Up or Tuning Down Button to move to the next or previous option. Once the desired option appears in the display, adjust that option by rotating the volume control within 5 seconds. The following options are adjusted through this menu feature.

#### **Contrast**

The contrast level of the display is set at "CONTRAST 05" by default. Rotate the volume control to adjust the contrast level from 00 to 10.

#### **Clock Format**

This option allows selection of a 12 hour or 24 hour clock format. "CLK FORMAT 12H" is the Default setting. Rotate the volume control to change to the 24 hour clock format..

#### **Time Set**

The time on the clock will be set to 12:00 as the default. Program the current time by rotating the volume control clockwise to adjust the minutes and counterclockwise to adjust the hours.

#### **Local / Distance Select**

This feature is used to designate the strength of the signals at which the radio will stop during automatic tuning. "Distance" is the default, allowing the radio to stop at a broader range of signals. To set the unit to select only strong local stations during automatic tuning, rotate the volume control until "Local" appears in the display.

#### **Beep Tone**

The beep tone feature allows the selection of an audible beep tone to be heard each time a button is pressed on the face of the radio. "BEEP TONE On" is the default display. Rotate the volume control to select the "BEEP TONE Off" option.

#### **AREA (TUNER FREQUENCY SPACING)**

This option allows the selection of the frequency spacing appropriate for your area. " AREA U.S.A. " is the default setting. Rotate the volume control to select the U.S.A. Latin America, Europe or Oirt options.

#### **IMPORTANT NOTE ON THE EUROPEAN / RDS TUNER SETTING**

This unit is default at "U.S.A" frequency. When unit is in U.S.A frequency, all the RDS related function is disabled. Once user change the AREA setting to "EUROPE", unit will change to European frequency, and all the RDS function will be activated as well. So all the RDS related function will only be activated, only if this unit's AREA setting is change to "EUROPE".

**NOTE** For details operation of the RDS system, please refer to page "RDS Operation".

## **8. AUDIO OPERATION**

### **Audio Menu**

Press "AUDIO" button to access the Audio Menu. User can navigate thru the Audio Menu items by pressing the "AUDIO" button repeatedly, or by pressing the Tuning Up or Tuning Down Button. Once the desired menu item appears on the display, adjust that option by using the Volume Up or Down button within 5 seconds. The following menu items can be adjusted as described above. The unit will automatically exit the Audio Menu after five seconds of inactivity.

#### **VOLUME (Volume Level)**

- User has 5 seconds to use the Volume button to adjust the desired volume level, the volume level will be shown on the LCD display ranging from 00 (lowest) to 46 (highest).

#### **BASS (Bass Level)**

- User has 5 seconds to use the Volume Up or Down button to adjust the desired Bass level range from -6 to +6.

#### **TREBLE (Treble Level)**

- User has 5 seconds to use the Volume Up or Down button to adjust the desired Treble level range from -6 to +6.

#### **BALANCE**

- User has 5 seconds to use the Volume Up or Down button to adjust the Balance between the right and left speakers from R12 (full right) to L12 (full left). "C00" represents an equal balance between the right and left speakers.

#### **FADER**

- User has 5 seconds to use Volume Up or Down button to adjust the Fader between the front and rear speakers from R12 (full rear) to F12 (full front). "C00" represents an equal balance between the front and rear speakers.

## 9. TUNER OPERATION

### 6) **BAND BUTTON (BAND)**

Press BAND to change between FM bands and AM(MW)bands.

### 15) **TUNING UP/DOWN BUTTON (◀▶)**

#### Manual Tuning

Press the Up Tuning or Down Tuning button for more than 3 seconds to move the radio frequency number up or down one step.

#### Auto Seek Tuning

Press the Up Tuning or Down Tuning button for less than 3 seconds to move to next station automatically.

### 11) **PRESET STATIONS BUTTONS**

Six numbered preset buttons store and recall stations for each band.

#### **Store a Station**

Select a band (if needed), then select a station. Hold a preset button for 3 seconds. The preset number will appear in the display.

#### **Recall a Station**

Select a band (if needed). Press a preset button to select the corresponding stored station.

### 10) **AUTOMATICALLY STORE / PRESET SCAN (AS/PS)**

#### **Automatically Store**

Automatically select 6 strong stations and store them in the current band. Select a band (if needed). Press AS/PS button for more than three seconds. The new stations replace stations already stored in that band.

#### **Preset Scan**

Scan stations stored in the current band. Select a band (if needed). Press AS/PS button for less than 3 seconds. The unit will pause for ten seconds at each preset station. Press AS/PS button again to stop scanning when the desired station is reached.

#### **STEREO**

The unit will automatically pick up a stereo signal, when available. When in stereo mode, the ST icon appears in the display. When no stereo signal is available, the unit will automatically revert to mono operation, and no icon will be displayed.

## 10. RDS OPERATION

### RDS functions

The unit is equipped with the following RDS function:

- AF Alternative Frequencies
- CT Clock Time
- EON Enhanced other Network
- PI Program identifications
- PS Program service name
- PTY Program Type
- REG Regional Change
- TA Traffic Announcement
- TP Traffic program

#### 7. AF Function

By pressing AF button < 3 seconds to select AF ON/OFF. "AF ON" or "AF OFF" will show & remain on the LCD segment for 5 seconds.. Under AF "On" mode, if the tuned in station signal is getting weak, the unit will automatically switches to a different frequency on the same network with stronger signal.

**Note:** Factory Default setting is "AF ON"

#### 8. TA Function

By pressing TA button < 3 seconds, turn switch on TA standby mode. "TA ON" will show & remain on the LCD segment for 5 seconds & the TA icon will light up on the LCD. In the stand by mode, when a traffic announcement broadcast starts, the traffic announcement broadcast will be received as top priority regardless of the function mode. When a traffic announcement starts, "TRAFFIC INFO" will show on the LCD, press the TA button can cancelled the broadcast reception while a traffic announcement broadcast is being received. The unit will go back to the previous mode and TA goes into stand by mode again. When the TP icon is not light up for 60 seconds. A beep Alarm tone is heard and the LCD will show "Lost TP, TA". TA seek will automatic activate and searches to another TA station.

#### 9. PTY Function

Pressing PTY button < 3 seconds to goes into PTY select mode. "PTY" icon will light up on the LCD. The LED around encoder volume will starts blinking. The user now has 5 seconds to select the desired PTY item by using volume up/down button. Once selected the PTY item, user have 5 seconds to press "SELECT" or "TUNE UP or TUNE DOWN" buttons < 3 seconds to seek for the selected PTY item. The LCD will display "PTY SEEK". If no station with the selected PTY broadcast can be received, the LCD will display "No Match PTY" and blinks for 5 seconds then returns to the previous mode.

User can store his favor PTY into the preset memory M1 to M6. After selected a PTY item, long press any one of the preset memory button can store the selected PTY. To recall the stored PTY item by switching on PTY mode then press preset memory < 3 seconds, the unit will automatically search the stored PTY station in the preset memory

Music Group	Speech Group
POP , ROCK	NEWS, AFFAIRS, INFO
EASY, LIGHT	SPORT, EDUCATE, DRAMA
CLASSICS, OTHER	CULTURE, SCIENCE, VARIED
JAZZ, COUNTRY	WEATHER, FINANCE, CHILDREN
NATION, OLDIES	SOCIAL, RELIGION, PHONE IN
FOLK	TRAVEL, LEISURE, DOCUMENT

**Note:** Factory default stored for PTY preset memory.

M1/News, M2/Information, M3/Pop Music, M4/Sports, M5/Classics, M6/Finance.



## 11. MP3/WMA MUSIC FILES OPERATION

### OPERATION

#### **PAUSE BUTTON**

Press the pause button to suspend file play. Press the pause button again to resume file play.

#### **12) FILE SELECT**

Press the Up Tuning or Down Tuning button ( **⏮ ⏭** ) for less than one second to advance to the next file. The selected file number will appear on the display. Press and hold the Up Tuning or Down Tuning button ( **⏮ ⏭** ) for more than one second to fast forward or fast reverse through the file. File play starts when the button is released.

#### **M3) REPEAT BUTTON (REPEAT)**

Press REPEAT BUTTON (REPEAT) during file play to continuously repeat the file. Press REPEAT BUTTON (REPEAT) again to stop repeating.

#### **M4) RANDOM BUTTON (RANDOM)**

Press RANDOM BUTTON (RANDOM) during file play to play all files in random, shuffled order. Press RANDOM BUTTON (RANDOM) again to stop random play.

#### **M2) INTRO SCAN BUTTON (INTRO)**

During file play, press INTRO SCAN BUTTON (INTRO) to play the first 10 seconds to each file on the file. When the desired file is reached, press INTRO SCAN BUTTON (INTRO) again to end the scan and play the selected file.

### ABOUT MP3/WMA FILES

MP3 and WMA (Windows Media Audio) music files are audio compression format. This unit can play MP3/WMA directly from files contained on iPod docking, USB Memory Stick, SD or MMC Memory Card.

#### **Notes on MP3/WMA Play**

This unit can play MP3 (MPEG1, 2, 2.5 Audio Layer 3). However, the MP3 recording media and accepted formats are limited. When writing MP3/WMA, pay attention to the following restrictions.

#### **Acceptable Medium Formats**

The following formats are available for the media used in this unit. The maximum number of characters used for file name including the delimiter (".") and three-character extension are indicated in parentheses.

- ISO 9660 Level 1 (11 characters)
- ISO 9660 Level 2 (31 characters)
- Joliet (31 characters)
- Romeo (31 characters)

Up to 200 characters can be displayed in the long file name format. For a list of available characters, see the instruction manual of the writing software and the section "Entering File and Folder Names" below. The media reproducible on this unit has the following limitations:

- Maximum number of nested folders: 8
- Maximum number of files per file: 999
- Maximum number of files per media device: 2000
- Maximum number of folders per media device: 255

MP3/WMA written in the formats other than the above may not be successfully played and their file names or folder names may not be properly displayed.

#### **Entering ID3 Tag**

This unit supports ID3 tag versions 1.0 and 1.1.

### Entering File and Folder Names

Names using the code list characters are the only file names and folder names that can be entered and displayed. Using any other character will cause the file and folder names to be displayed incorrectly. The unit recognizes and plays only files with the MP3/WMA extension.

**NOTE** ➤ A file name entered with characters not on the code list may not play correctly.

### Writing Files into a Media

When a media containing MP3/WMA data is loaded, the unit checks all data. If the media contains many folders or non-MP3/WMA files, MP3/WMA play will be delayed, it may take time for the unit to move to the next file, and searches may not be performed smoothly. Loading such a media may produce loud noise and cause damage to the speakers. **Do not attempt to play a media containing a non-MP3/WMA file with the MP3/WMA extension or a media containing non MP3/WMA files.**

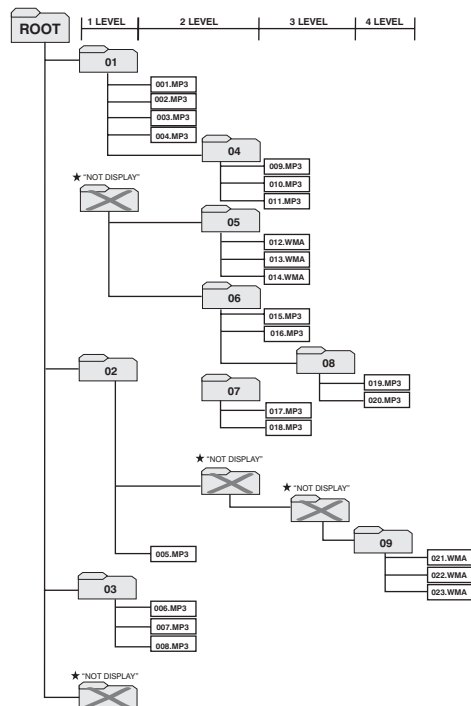
### Bit Rates

The unit supports bit rates from 32 - 320 kbps.

### Files Playing Order

When selected for play, Folder Search, File Search or Folder Select, files and folders are accessed in the order in which they were written by the PC writer. Because of this, the order in which they are expected to be played may not match the order in which they are actually played. For example, a media with the following folder/file hierarchy is subject to Folder Search, File Search or Folder Select as shown below.

- An outline of a Media with MP3/WMA is shown below. Subfolders are shown as folders in the folder currently selected.



- The equipment assigns folder numbers. The user can not assign folder numbers.
- ★ It is not possible to check folders that do not include MP3/WMA files. (These folders will be skipped without displaying the folder number and name)

## FILE/FOLDER PLAY

There are three different play methods as following:

### File/Folder Intro play:

- Press M2 button more than 3 seconds during playing MP3/WMA file for "intro play" all files of the current folder. Intro play should restart from the first song of the current folder, after all files in the current files have been intro-played.  
To disable current folder "intro play", long press M2 button more than 3 seconds
- Press M2 button less than 3 seconds is "intro play" all files on the media device. Intro play should re-start at the very first file of the media device after all files in the file has been intro played.  
To disable all files "intro play", press M2 button less than 3 seconds

### File/Folder Repeat play :

- Press M3 button more than 3 seconds during playing MP3/WMA file for "repeat play" all files of the current folder. And keep on repeat playing the current folder until "repeat play" is disabled.  
To disable current folder "repeat play", long press M3 button more than 3 seconds
- Press M3 button less than 3 seconds to "repeat play" the current file. And keep on repeat Playing the current file until the "repeat play" is disabled.  
To disable current file "repeat play", press M3 button less than 3 seconds

### File/Folder Random play:

- Press M4 button more than 3 seconds during playing MP3/WMA file to "random play" all files of the current folder.  
To disable current folder "random play", long press M4 button more than 3 seconds
- Press M4 button less than 3 seconds is "random play" all files on the disc.  
To disable all file " random play", press M4 button less than 3 seconds.

### Folder Up / Down Play

- Press M5 button less than 3 seconds to One Folder Down
- Press M6 button less than 3 seconds to One Folder Up

## MP3/WMA File or Folder Search

### Folder / Files Navigate Searching

Press BAND button twice. The LCD will display "Navigate", and the illumination around the select knob will blink. Rotate the knob to navigate through all folders and sub-folders on the disc. The folder names will be displayed on the LCD. Press the select knob for more than three seconds to play the first file in the folder. Press the select knob for less than three seconds to access the sub-folders or files. Rotate the select knob to navigate, then press the select knob to confirm and begin file play. During navigation search, press AS/PS or rotate the select knob counter-clockwise to move back to the last upper level of a folder.

### **ID3 INFORMATION DISPLAY**

If any MP3/WMA file recording with ID3 Tag information. The ID3 information such like Album title, File title, Artist Title will be displayed and automatic scrolling through the LCD while the file is playing. User also allows pressing the AS/PS button repeatedly to view the ID3 tag information manually.

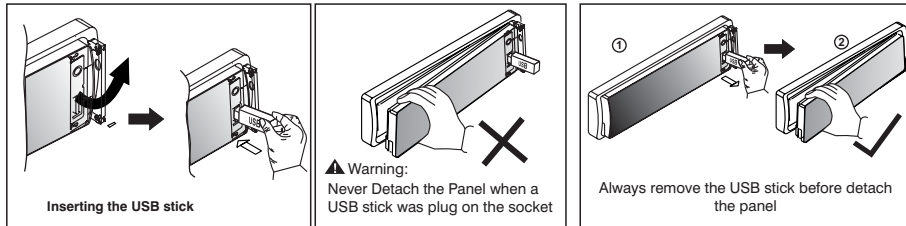
### **NOTE OF ID3 ICONS ON DISPLAY**

ICON	DESCRIPTION
	FOLDER ICON
	SONG ICON
	FILE ICON
	ARTIST ICON
	ALBUM ICON

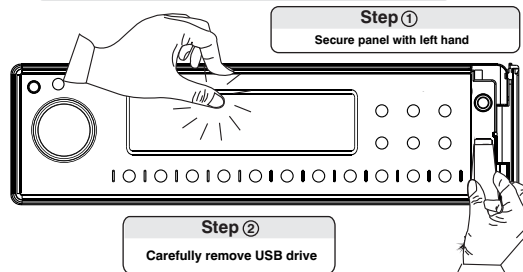
## 12. USB OPERATION

The unit can support USB Host Function. It can playback MP3 and WMA Audio format which are stored into USB Memory Stick or USB interface Music Player. Please read below before you start the operation of USB HOST Function.

### Inserting and Removing USB Drive



### Removing USB Drive



### Mode change to USB HOST

Under any other mode while inserting a USB Stick into the front panel USB plug, the unit will Automatically switches from present playing mode to USB HOST mode. The unit will display 'USB HOST' for a while then starts 'Reading' the files contained on the USB Stick. Once the unit read the USB Stick successfully, the first audio music file on the USB stick Playback will Automatically start. Press Mode button repeatedly to change to other modes or switch back to USB HOST.

### WARNING:

Before remove the USB stick from the Front panel USB plug. Always remember to switch off the unit's power or switch to other mode then remove out the USB Stick. Never try removing the USB Stick while playing music file on the USB stick. It may damage the USB Stick and sometimes will caused the unit system lock up.

**NOTE** The unit can support playback Music Player which have USB Interface. However due to the fast changing decoder technology and different kind of hardware interface. This unit may or may not be compatible to all the Music Player and USB Stick especially those USB Stick / Player which require to install a program driver.

**NOTE** About Music Flash Player with USB Interface, Usually, the unit takes longer time to read this kind of player than normal USB Stick. Especially, if the Flash Player with built-in power battery sometimes takes 20-30 seconds to start up the playback

**NOTE** The unit is not compatible to playing any Portable Hard disk.

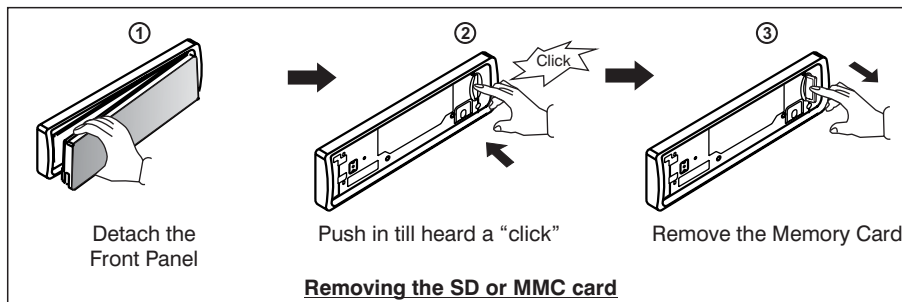
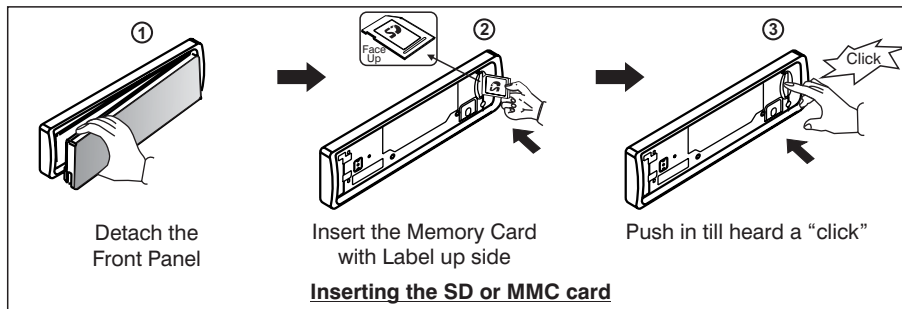
### Music File Playback Operation

All the USB playback operation function is same as the operation on MP3/WMA. Please refer to 'MP3/WMA Operation' for more details.

### 13. MEMORY CARD OPERATION

The unit can support playback MP3 and WMA Audio format which are stored into **SD** and **MMC** Memory Card . Please read below before you start the operation of Memory Card.

#### **Inserting and Removing a SD or MMC card on the main unit**



#### **Mode change to MEMORY CARD**

After a SD or MMC card was inserted into the main unit card slot. Press the Mode button to select **SD/MMC** mode . The unit will display **SD/MMC** for a while then starts **Reading** The files contained on the Memory Card. Once the unit read the MEMORY CARD successfully, the first audio music file on the Memory Card will automatically start playback.Press Mode button repeatedly is allowing changing to other modes or switch back to **SD/MMC** mode.

**NOTE** If no any Memory Card is inserted into the main unit card slot. Press mode button will automatically skip **SD/MMC** mode.

#### **Music File Playback Operation**

All the SD or MMC Memory Card playback operation function is same as the operation on MP3/WMA. Please refer to 'MP3/WMA Operation' for more details.

## 14. MUSIC FILES TRANSFERRING

Thanks for the most useful and convenient files transferring function of this unit, user can easily transfer music files between USB Stick, SD or MMC Memory card. Please read below for the details operation of this function:

### **TRANSFERABLE MEDIA**

Files are transferable within the following media:

- Removable USB Stick
- SD Memory Card
- MMC Memory Card

### **MUSIC FORMAT SUPPORTED BY FILE TRANSFER ARE**

- MP3 and WMA

### **TRANSFER MP3 OR WMA MUSIC FILES**

This operation only can be performed during file playing a MP3 or WMA music file.

1. Playback a music file to be transferred and then long press the COPY button to activate the Transfer mode.
2. The LCD will display **Rec → USB** as default, Rotate the encoder volume knob to navigate thru **Rec → USB** > **Rec → CARD** for selection of the storage media.
3. Once selected the storage media, Press AUDIO button as confirmation to start the record to this selected media. If no further button is press within the 10 second time out, the unit will automatically resume to the previous mode.
4. If unit detect the selected device memory capacity is used up, **Memory Full** will display on the LCD for a while then automatically resume to the previous some mode.
5. After pressing AUDIO button to start the transfer, the playing music file will stop and the transferring will start at the same time. (The following step is an example of if selected USB
6. When the transfer is processing, the LCD will displayed **10 % USB**.
7. When the file transfer is completed, the LCD will display **100% USB** for a while and automatically playback the present music file which have been transferred. The transferred music file is automatically saved as a file into Folder "MY\_MP3" or "MY\_WMA" by the advance "File Management." system of this unit.

**Tips** For more details information of File Management system of this unit. Please see "FILE MANAGER".

**NOTE** Under transferring mode, All the MP3/WMA operation is not functional, like file up / down, Repeat, Random, and Intro etc.

**NOTE** The audio will remain recording by the unit system even MUTE function is activated

**NOTE** The Transferring will automatically stop if the storage device memory is **less than 2MB**

### ● **To Cancel Recording**

1. Long press button COPY again to cancel the recording. The LCD will display **Rec ■ USB**. The track that has been recorded incompletely will be deleted.

**NOTE** The unit will cancel the Recording automatically under the following operation, the track that has been recorded incompletely will be deleted.

- 1) Switch the power to off mode
- 2) Mode change
- 3) Inserting a USB Stick
- 4) Detach the Front Panel from the main unit

### **TRANSFER MP3 OR WMA MUSIC FILES BETWEEN MEDIA DEVICES**

Select a device by mode button and playback the music file need to be transfer:

1. Long press the COPY button to activate the transfer mode.
2. The LCD will display **Rec 4 USB** as default, Rotate the encoder volume knob to navigate thru **Rec 4 USB** > **Rec 4 CARD** for selection of the storage media.
3. Once selected the storage media, Press AUDIO button as confirmation to start the record to this selected media. If no further button is press within the 10 second time out, the unit will automatically resume to the previous mode.
4. If unit detect the selected device memory capacity is used up, **Memory Full** will display on the LCD for a while then automatically resume to the previous some mode.
5. After pressing AUDIO button to start the transfer, the playing music file will stop and the transferring will start at the same time. (The following step is an example of if selected USB
6. When the transfer is processing, the LCD will displayed **10 % USB** .
7. When the file transfer is completed, the LCD will display **100% USB** for a while and automatically playback the present music file which have been transferred. The transferred music file is automatically saved as a file into Folder "MY\_MP3" or " MY\_WMA" by the advance "File Management." system of this unit.

**Tips** For more details information of File Management system of this unit. Please see "FILE MANAGER".

**NOTE** Under transferring mode, All the MP3/WMA operation is not functional, like file up / down, Repeat, Random, and Intro etc.

**NOTE** The audio will remain recording by the unit system even MUTE function is activated

**NOTE** The Transferring will automatically stop if the storage device memory is **less than 2MB**

#### **▲ WARNING:**

- 1) Never remove the USB Stick while recording or file transferring to USB Stick. It may damage the USB Stick and sometimes will caused the unit system lock up.
- 2) It is not recommended to insert USB stick while recording is under progress to other storage device. Always remember to stop the recording or after the recording is completed, then insert the USB stick.
- 3) Do not switching mode of the unit during the File Transferring .
- 4) Do not turn off the Power of the unit during the File Transferring.
- 5) Do not switch the ignition key off during the File Transferring

## 15. MUSIC FILES ERASING

You can erase files from the USB Stick or Memory Card. Please read below for the details operation of this function:

### **ERASABLE MEDIA**

- USB Stick and Memory Card.

### **ERASING MUSIC FILES ON THE MEDIA**

There are THREE different methods for erasing files;

#### **1. Erase while the Music File is playing.**

- Long press BAND button to activate the ERASE mode
- The LCD will display **ERASE 010**
- Short Press the AUDIO to enter into the ERASE mode.
- Once enter into the erase mode. You can rotate the encoder volume knob to select “**⏏**” as to confirm the erase or rotate the volume knob to select “**⏏**” as for cancel the erase mode. If no further button is press within 5 seconds time out. The unit automatically resume to the previous mode.
- Once the “**⏏**” is display on the LCD, press the AUDIO button again to final confirm erase the present playback music file.

**NOTE** If want to CANCEL the erase of the present music file, Rotate the encoder volume knob to “**⏏**”. Once the “**⏏**” is displayed on the LCD, press the AUDIO button again to cancel the erase mode.

- After pressing AUDIO button to start the ERASE, the present playing music file will stop and the erasing will start at the same time.
- **ERASE 010** Will display on the LCD after the music file erase is successful, and the unit will automatically start playback the next music file.

#### **2. Erase under Files Number Search Mode**

User can select the Music file Number want to erase by file Number Search mode.

- After selected the file number want to erase, Long press the BAND button to activate the ERASE mode.
- The LCD will display **ERASE 010**.
- Short Press the AUDIO to enter into the ERASE mode
- Once enter into the erase mode. User can rotate the encoder to select “**⏏**” to confirm the erase or rotate the volume knob to select “**⏏**” to cancel the ERASE mode. If no further button is press within a 5 second time out. The unit automatically resume to the previous mode.
- Once the “**⏏**” is displayed on the LCD, press the AUDIO button to final confirm to erase the selected music file.

**NOTE** If want to CANCEL the erase of the present music file, Rotate the encoder volume knob to “**⏏**”. Once the “**⏏**” is displayed on the LCD, press the AUDIO button again to cancel the erase mode.


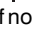

- After pressing AUDIO button to start the ERASE, the present playing music file will stop and the erasing will start at the same time.
- **ERASE 010** Will display on the LCD after the music file erase is successful, and the unit will automatically start playback the next music file.

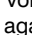
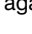
#### **3. Erase under Files NAVIGATE search mode**

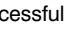
You can select a Music file want to erase by files Navigate Search mode.

- After selected the file number want to erase, Long press the BAND button to activate the ERASE mode.
- The LCD will display **ERASE 010**.



- Short Press the AUDIO to enter into the ERASE mode
- Once enter into the erase mode. User can rotate the encoder to select “” to confirm the erase or rotate the volume knob to select “” to cancel the ERASE mode. If no further button is press within a 5 second time out. The unit automatically resume to the previous mode.
- Once the “” is displayed on the LCD, press the AUDIO button to final confirm to erase the selected music file.

**NOTE** → If want to CANCEL the erase of the present music file, Rotate the encoder volume knob to “”. Once the “” is displayed on the LCD, press the AUDIO button again to cancel the erase mode.

- After pressing AUDIO button to start the ERASE, the present playing music file will stop and the erasing will start at the same time.
-  Will display on the LCD after the music file erase is successful, and the unit will automatically start playback the next music file.

**▲WARNING:**

- 1) Do not switching mode of the unit during the Erasing
- 2) Do not turn off the Power of the unit during the Erasing
- 3) Do not switch the Ignition key off during the Erasing
- 4) Do not detach the front panel during the Erasing

## **16. FILES MANAGER**

The advance "File Management." System of this unit can help to well you organize all the music files just like a PC . Please read below for details:

### **FOLDERS MANAGEMENT**

This unit will automatically self-create the below default folders onto any USB /SD / MMC media device, once these devices are inserted into the unit.

MY\_MP3: Folder for saving all the MP3 music files transfer from other device

MY\_WMA: Folder for saving all the WMA music files transfer from other device

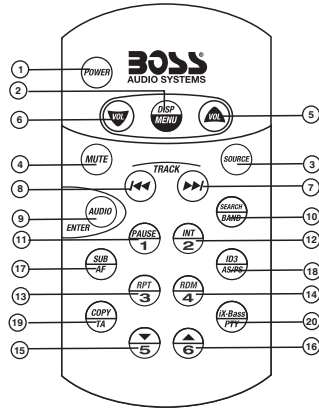
MY\_AUX : Folder for saving all the music files source from AUX Line In

### **FILES MANAGEMENT**

This unit will automatically self-create the file name following with the Folder Name, for example:

Music file which recorded from file, the file name 'Mp3' will be automatically created & saved in the respective folder.

## 17. REMOTE FUNCTION(RDS + iPod)



### OPERATIONS:

KEY	SYSTEM		TUNER		CD/MP3/WMA		iPod	
	Short Press	Long Press	Short Press	Long Press	Short Press	Long Press	Short Press	Long Press
1	Power							
2	Display	Menu						
3	Source							
4	Mute							
5	Volume Up							
6	Volume Down							
7			Seek Up	Tune Up	Track/File Up	Fast Forward	File Up	Fast Forward
8			Seek Down	Tune Down	Track/File Down	Fast Backward	File Down	Fast Backward
9	Audio Menu				Enter		Enter	
10			Band		File/Folder Search		iPod Search	
11			M1	Memory 1	Pause /Play		Pause /Play	
12			M2	Memory 2	Intro	Folder Intro		
13			M3	Memory 3	Repeat	Folder Repeat	Repeat	Album Repeat
14			M4	Memory 4	Random	Folder Random	Shuffle	Album Shuffle
15			M5	Memory 5	Folder Down			
16			M6	Memory 6	Folder Up			
17		Sub-W	AF					
18			PS	AS	ID3		iPod information	
19		Copy	TA					
20		ix-Bass	PTY					

## 18. SPECIFICATIONS

**EN**

### MEDIA SECTION

**USB Host** Host 1.1 compatibles 2.0  
**Memory Card**  
 Support Type of Memory Card SD and MMC

### RADIO SECTION

**FM**  
 Frequency Range 87.5-107.9MHz  
 87.5-108MHz  
 10.7 MHz  
 Intermediate Frequency 10.7 MHz  
 Usable Sensitivity Better than 15dB at S/N 30 dB  
 Stereo Separation 25 dB at 1KHz  
 S/N Ratio 50 dB

**AM/MW**  
 Frequency Range 530-1720KHz  
 522-1620KHz

Intermediate Frequency 450KHz  
 Usable Sensitivity Better than 45dB  
 S/N Ratio 40 dB

### GENERAL

**Power Supply** DC 11 -14V  
**Polarity** Negative Ground  
**Speaker Impedance** 4 ohms  
**Power Output** 4x 80 Watts

**REMARK :**  
 Specifications subject to change without notice.

**PT**

### Seção Media

**Porta USB** USB1.1, compatível com 2.0  
**Cartão de memória**  
 Tipo de cartão compatível SD e MMC

### Rádio FM

**Rádio FM**  
 Faixa de Frequencia: 87.5-107.9MHz  
 87.5-108MHz  
 10.7 MHz  
 Frequência Intermediária: 10.7 MHz  
 Sensibilidade útil: melhor que 15dB a S/N 30dB  
 Separação estereo: 25 dB at 1KHz  
 Relação Sinal/Ruído: 50 dB

### AM/MW

Faixa de frecuencia: 530-1720KHz  
 522-1620KHz  
 Frequencia intermediária: 450KHz  
 Sensibilidade útil: Melhor do que 45dB  
 Relação Sinal/Ruído: 40dB

### Geral:

**Alimentação:** DC 11-14V  
**Polaridade:** Terra negativo  
**Impedancia alto-falantes:** 4ohms  
**Potência de saída:** 80w x 4

**Nota:**  
 As especificações estão sujeitas a alterações sem prévio aviso.

**DE**

### SPEICHERMEDIEN

**USB-Anschluss:** USB 1.1 (USB 2.0 kompatibel)  
**Speicherkarten:** SD, MMC

### RADIOTEIL

**FM**  
 Frequenzbereich 87.5-107.9MHz  
 87.5-108 MHz  
 10.7 MHz  
 Zwischenfrequenz 10.7 MHz  
 Nutzbare Empfindlichkeit Besser als 15 dB bei einem  
 Signalrauschabstand von 30 dB  
 Stereotrennung 25 dB bei 1 kHz  
 Signalrauschabstand 50 dB

### AM/MW

Frequenzbereich 530-1720KHz  
 522-1620KHz  
 Zwischenfrequenz 450KHz  
 Nutzbare Empfindlichkeit Besser als 45 dB  
 Signalrauschabstand 40 dB

### ALLGEMEINES

**Stromversorgung** DC 11 -14 V  
**Polarität** Erde negativ  
**Lautsprecherimpedanz** 4 Ohm  
**Ausgangsleistung** 80 W x 4

**ANMERKUNG:**  
 Technische Änderungen ohne Meldepflicht vorbehalten.

**ES**

### PUERTO USB/SLOT TARJETAS SD/MMC

**Puerto USB:** Host 1.1 compatible con 2.0  
**Slot tarjetas:** Esta unidad soporta tarjetas SD/MMC

### RADIO SECCIÓN FM

**Rango Frecuencia:** 87.5-107.9MHz  
 87.5-108 MHz  
 10.7 MHz  
 Frecuencia Intermedia: 10.7 MHz  
 Sensibilidad Útil: Mejor que 15dB a S/N 30dB.  
 Separación estereo: 25dB a 1KHz.  
 S/N Ratio: 50dB.

### AM/MW

**Rango Frecuencia:** 530-1720KHz  
 522-1620KHz  
 Frecuencia Intermedia: 450KHz.  
 Sensibilidad útil: Mejor que 45dB.  
 S/N Ratio: 40dB.

### GENERAL

**Alimentación:** DC 11-14V.  
**Polaridad:** Negativo a masa.  
**Impedancia altavoces:** 4 Ohms.  
**Potencia de salida:** 4x80W.

**Nota:**  
 Debido al rápido avance tecnológico, estas especificaciones están sujetas a cambios sin previo aviso.

**FR**

### SECTION MEDIA

**USB HOST** Host1.1 Compatibles 2.0  
**Cartes mémoires**  
 Type de carte mémoire pris en charge SD et MMC

### SECTION RADIO

**FM**  
 Gamme de fréquences 87.5-107.9MHz  
 87.5-108 MHz  
 10.7 MHz  
 Fréquence intermédiaire 10.7 MHz  
 Sensibilité utilisable Plus de 15dB à S/B 30 dB  
 Séparation stéréo 25 dB à 1KHz  
 Ratio S/B 50 dB

### AM/MW

Plage de fréquences 530-1720KHz  
 522-1620KHz  
 Fréquence intermédiaire 450KHz  
 Sensibilité utilisable Supérieure à 45 dB  
 Rapport Signal/Bruit 40 dB

### GENERAL

**Alimentation** 11 -14V DC  
**Polarité** Masse / négative  
**Résistance des enceintes** 4 ohms  
**Puissance de sortie** 80W x 4

**REMARQUE :**  
 Les spécifications sont susceptibles d'être modifiées sans préavis.

**IT**

### SEZIONE MEDIA

**USB Host** 1.1 compatibili 2.0  
**Scheda di memoria**  
 Schede supportate SD e MMC

### SEZIONE RADIO

**FM**  
 Raggio di Frequenza 87.5-107.9MHz  
 87.5-108 MHz  
 10.7 MHz  
 Frequenza intermedia 10.7 MHz  
 Sensibilità migliore di 15dB a S/N 30 dB  
 Separazione Stereo 25dB a 1KHz  
 Rapporto S/N 50dB

### AM/MW

Raggio di Frequenza 530-1720KHz  
 522-1620KHz  
 Frequenza intermedia 450KHz  
 Sensibilità migliore di 45dB  
 Rapporto S/N 40dB

### GENERALE

**Alimentazione** Dc11 14V  
**Polarità** Terra negativo  
**Impedenza altoparlanti** 4 ohms  
**Potenza d'uscita** 4x 80 Watts

**Le specifiche sono soggette a cambiamenti senza alcun preavviso.**

## 19. TROUBLE SHOOTING

Before going through the check list, check wiring connection. If any of the problems persist after check list has been made, consult your nearest service dealer.

Symptom	Cause	Solution
No power	The car ignition is not on.	If the power supply is properly connected to the car accessory terminal, switch the ignition key to "ACC"
	The fuse is blown.	Replace the fuse.
No sound	Volume is in minimum.	Adjust volume to a desired level.
	Wiring is not properly connected.	Check wiring connection.
The operation keys do not work	The built-in microcomputer is not operating properly due to noise.	Press the RESET button. Front panel is not properly fixed into its place
The radio does not work. The radio station automatic selection does not work.	The antenna cable is not connected.	Insert the antenna cable firmly.
	The signals are too weak.	Select a station manually.
Write Error	The Media Device not able to copy or record by the unit.	Replace the Media Device or Format the Flash Memory
Read Error	The Media Device not able to play file by the unit	Replace the Media Device or Format the Flash Memory
Memory Full	The media device memory is full not allow to copy	Replace the Media device or erase some un-usage files.
No File	No file Format supports for Playback on the file or Media Device	Replace the file or Media Device..



**If at any time in the future you should need to dispose of this product please note that Waste electrical products should not be disposed of with household waste. Please recycle where facilities exist. Check with your Local Authority or retailer for recycling advice.(Waste Electrical and Electronic Equipment Directive)**